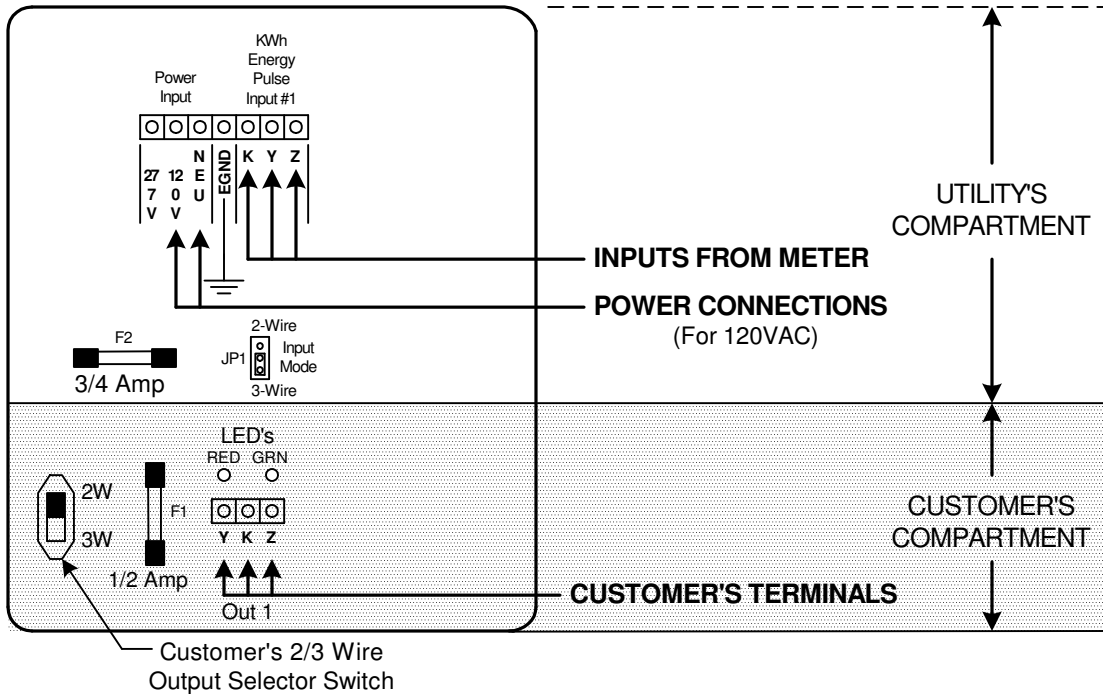


CIR-1PS+

Elite Solid State

CUSTOMER INTERFACE RELAY INSTRUCTION SHEET



MOUNTING POSITION - The CIR-1PS+ may be mounted in any position.

POWER INPUT - For 120VAC, use the **120V** terminal for the "hot" lead and the **NEU** terminal for the neutral power supply lead. For 208 to 277VAC, use the **277V** terminal for the "hot" lead and the **NEU** terminal for the neutral power supply lead. The **EGND** terminal **MUST** be connected to the power supply ground.

METER CONNECTIONS - Connect the K, Y, & Z leads from the meter to the **KYZ Input #1** terminals in the utility's compartment. K to K; Y to Y; and Z to Z. The CIR-1PS+ provides the +13VDC wetting (sense) voltage to the meter's KYZ terminals. The CIR-1PS+'s KYZ input may be either 2 or 3-Wire input. Place the jumper shunt on the correct pair of pins on JP1 for the input mode.

CUSTOMER OUTPUT - The customer's output is located at the bottom of the CIR-1PS+ board in the customer compartment. If the customer's output selector switch is in the 2W (2-wire) position, each change of input pulse state (K to Y or K to Z) will cause a single output pulse of 1/10 of a second (100 mS) to occur between the output terminals K & Y. If the switch is in the 3W (3-Wire) position, each K to Y closure will cause a K to Y output. A K to Z closure will result in a K to Z output. The CIR-1PS+ contains an input debouncing circuit which eliminates false pulses. If more than one K to Y input (pulse) occurs when the relay changes state, only the first pulse will be acted upon. This is also true for the K to Z input. Arc suppression for the contacts of the solid-state relay are provided internally.

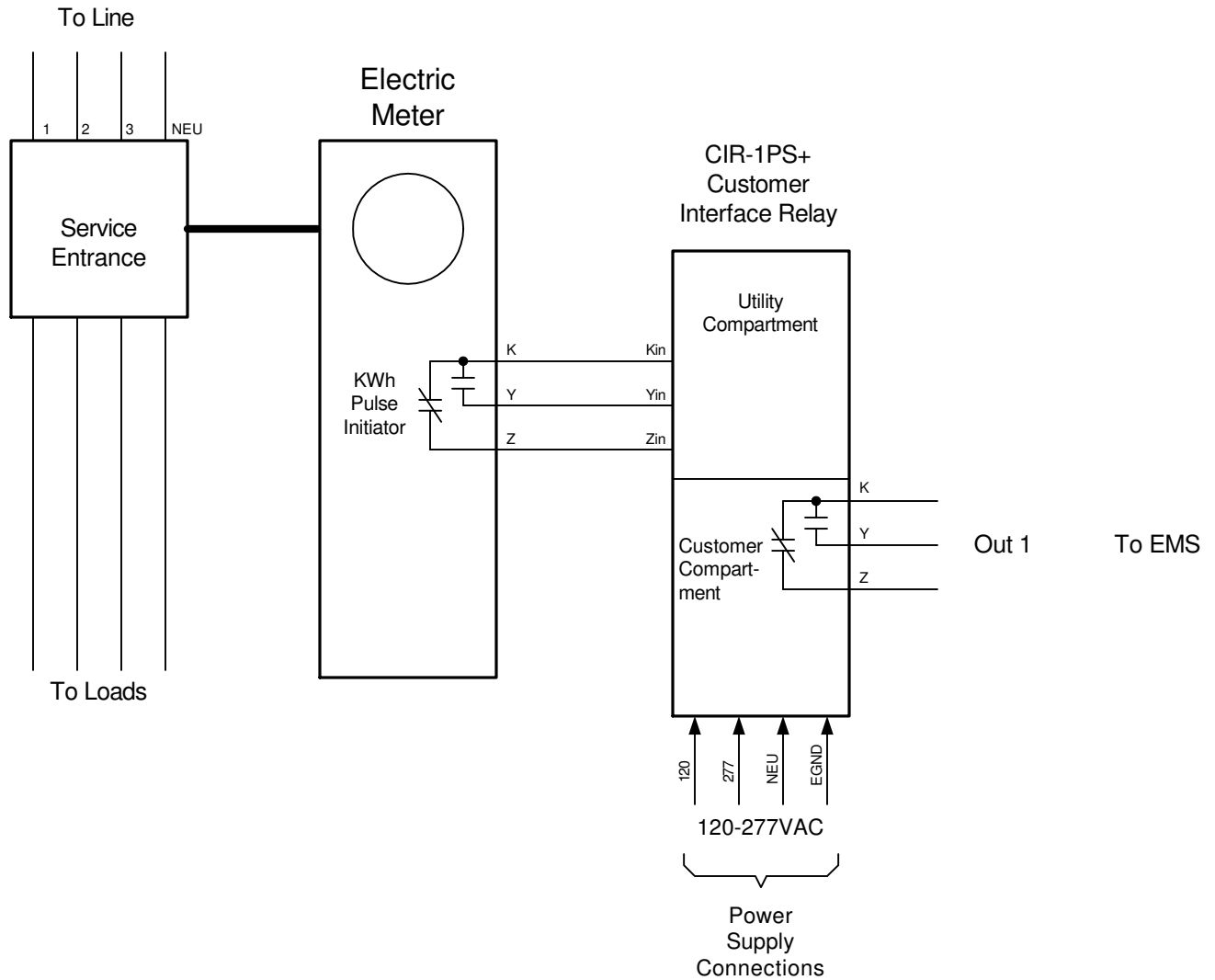
FUSES - Fuses are 3AG fast-blow type. Fuse F2 in the utility's compartment is coordinated with the customer's fuse F1. Fuse F2 must be larger than Fuse F1. F2 is 3/4 Amp maximum, and F1 is 1/2 Amp maximum.



SOLID STATE INSTRUMENTS

a division of Brayden Automation Corp.
6230 Aviation Circle, Loveland Colorado 80538
Phone: (970)461-9600 Fax: (970)461-9605
E-mail: support@solidstateinstruments.com

CIR-1PS+ Wiring Diagram



| | | | |
|--|---------|-----------|-------|
| CIR-1PS+ Customer Interface Relay Wiring Diagram | | REVISIONS | |
| | | NO. | DATE |
| DATE ORIGINAL | SCALE | | |
| 11/11/14 | N/A | | |
| LATEST REVISION | JOB NO. | CHECKED | DRAWN |
| | | | WHB |

Brayden Automation Corp./
Solid State Instruments div.
 6230 Aviation Circle
 Loveland, CO 80538
 (970)461-9600
 (970)461-9205 fax
www.solidstateinstruments.com