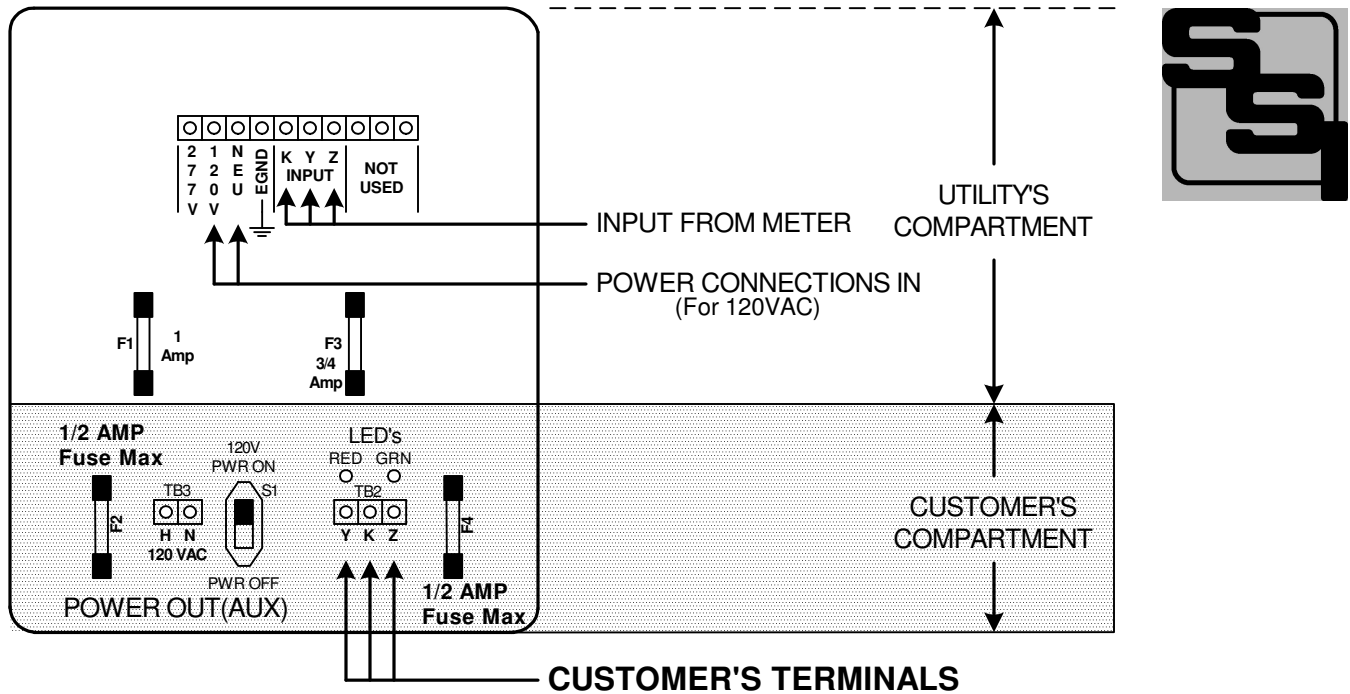


LMR-111PS LOAD MANAGEMENT RELAY INSTRUCTION SHEET

Elite Solid State



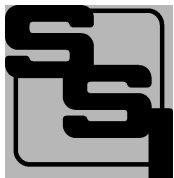
MOUNTING POSITION - The LMR-111PS may be mounted in any position.

POWER INPUT - For a 120VAC, use the **120V** terminal for the "hot" lead and the **NEU** terminal for the neutral power supply lead. For 208 to 277VAC, use the **277V** terminal for the "hot" lead and the **NEU** terminal for the neutral power supply lead. The **EGND** terminal **MUST** be connected to the power system ground.

METER CONNECTIONS - Connect the K, Y, & Z leads from the meter to the **K, Y, & Z** terminals on the terminal strip in the utility's compartment: K to K; Y to Y; Z to Z. The LMR-111PS's "K" terminal provides the +13VDC wetting (sense) voltage to the meters' "K" terminals. The LMR-111PS uses either a 2 Wire or a 3-Wire meter interface. If 2-Wire is desired, connect the meter to the K and Y or the K and Z terminals. The output pulses are available on the corresponding output terminals, K and Y, or K and Z.

CUSTOMER OUTPUTS - The customer's KYZ pulse output is located at the bottom of the board in the customer compartment. Each K-to-Y input will cause a K-to-Y output. A K-to-Z input will result in a K-to-Z output. Arc and transient suppression for the contacts of the solid-state relays is provided internally. The LMR-111PS also contains convenient termination points for powering other pieces of equipment. A fused and switchable 120VAC output is provided in the customer compartment. Switch S1 turns on and off the Auxiliary 120VAC output (TB3) located just to its left. When Switch S1 is UP, the 120V output is on and available on TB3. When the switch is DOWN, power to TB3 is off. **WARNING:** Turn switch S1 off to replace Fuse F2. To use the Auxiliary 120VAC output, the LMR-111PS **MUST** be powered by 120VAC.

FUSES - Fuse F1 in the utility's compartment is coordinated with the customer's fuse F2. Fuse F3 in the utility's compartment is coordinated with the customer's fuse F4. Use a maximum of 1 Amp for F1, 3/4 Amp for F3 and 1/2 Amp for F2 and F4. F2 is the power supply fuse for the 120VAC auxiliary power supply output.



SOLID STATE INSTRUMENTS

a division of Brayden Automation Corp.
 6230 Aviation Circle, Loveland Colorado 80538
 Phone: (970)461-9600 Fax: (970)461-9605
 E-mail: support@solidstateinstruments.com