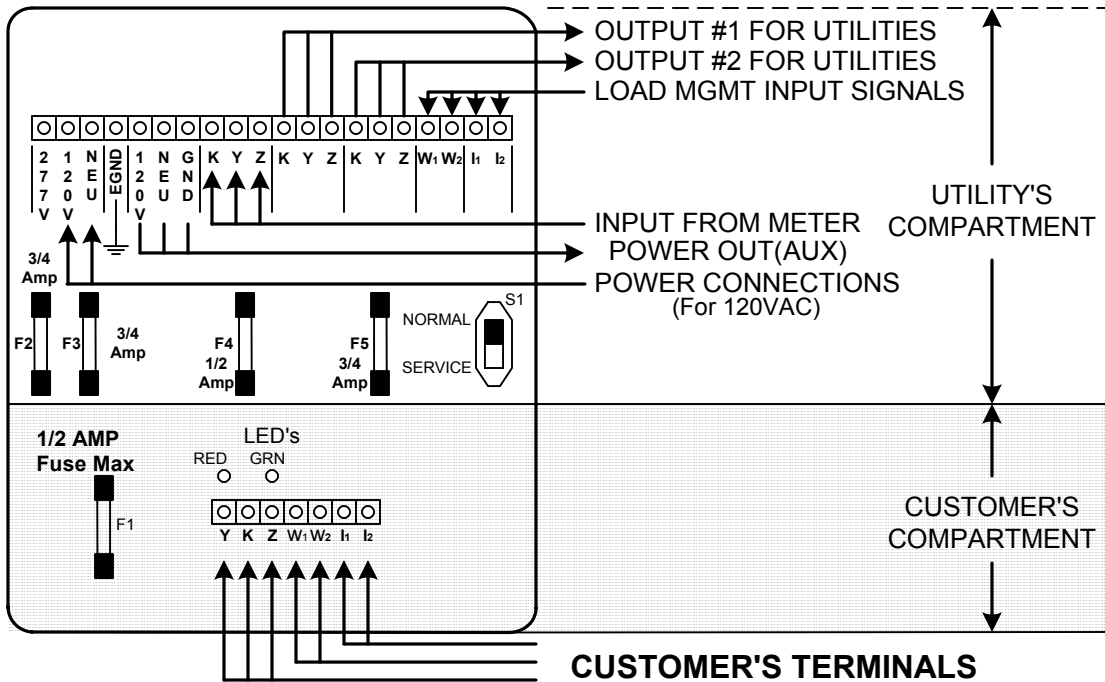


LMR-1PS

Elite Solid State

LOAD MANAGEMENT RELAY INSTRUCTION SHEET



MOUNTING POSITION - The LMR-1PS may be mounted in any position.

POWER INPUT - For a 120VAC, use the **120V** terminal for the "hot" lead and the **NEU** terminal for the neutral power supply lead. For 208 to 277VAC, use the **277V** terminal for the "hot" lead and the **NEU** terminal for the neutral power supply lead. The **EGND** terminal **MUST** be connected to the power supply ground.

METER CONNECTIONS - Connect the K, Y, & Z leads from the meter to the **K, Y, & Z** terminals on the terminal strip in the utility's compartment: K to K; Y to Y; Z to Z. The LMR-1PS's "K" terminal provides the +13VDC wetting (sense) voltage to the meters' "K" terminals. The LMR-1PS must use a 3-Wire meter interface.

CUSTOMER OUTPUTS - The customer's output is at the bottom of the board in the customer compartment. Each K to Y input will cause a K to Y output. A K to Z input will result in a K to Z output. Arc suppression for the contacts of the solid-state relays is provided internally. The LMR-1PS also contains convenient termination points for two independent load management signals, "W" and "I". W1 and I1 are switched with S1 for either normal operation or service mode. W2 and I2 are straight-thru connections. In the normal mode, when the W1 and W2 inputs are closed (switched or shorted together) the output W1 and W2 outputs in the customer compartment "sees" this same switch state. When Switch S1 is in the service mode, the outputs are shorted together to simulate receiving a load management input signal at the W and I inputs. In this way, customer-owned energy management equipment can be tested without an actual utility control signal having to be present.

UTILITY OUTPUTS - Two 3-Wire (Form C) KYZ outputs are provided for utility use in the utility compartment.

FUSES - Fuse F3 in the utility's compartment is coordinated with the customer's fuse F1. Use a maximum of 3/4 Amp for F3 and 1/2 Amp for F1. Fuses F4 & F5 (3/4 Amp max.) protect the utility's outputs only and may be sized up to 1/2 Amp, depending on utility requirements. F2 is the 1/2 Amp(max.) power supply fuse for the 120VAC auxiliary power supply output.



SOLID STATE INSTRUMENTS

a division of Brayden Automation Corp.
6230 Aviation Circle, Loveland Colorado 80538
Phone: (970)461-9600 Fax: (970)461-9605
E-mail: support@solidstateinstruments.com