



SPECIALTY DEVICES

MPS-1 METERING POWER SUPPLY

DESCRIPTION

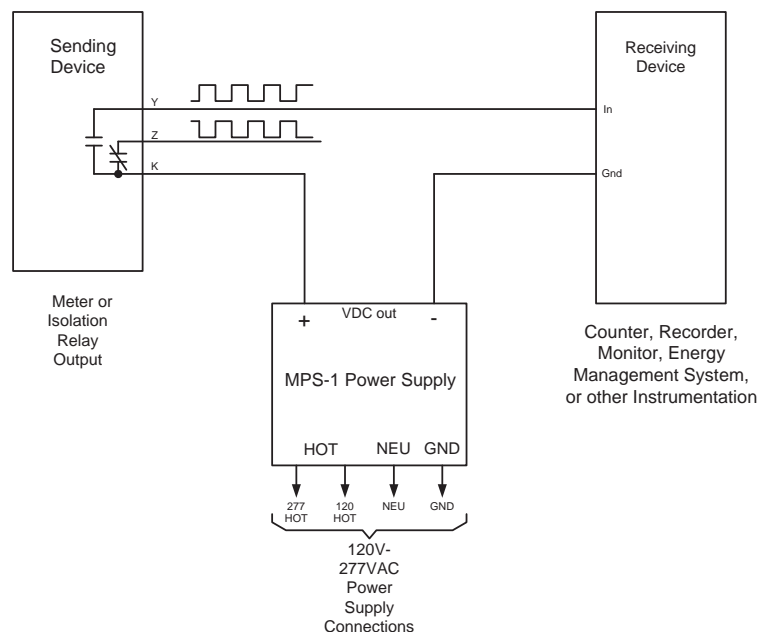
The MPS-1 Meter Power Supply, a low-cost DC power supply option, provides an isolated low-voltage DC wetting voltage designed specifically for KYZ pulse metering applications. Packaged in the convenient SSI "small footprint" case, the MPS-1 can be used in any application where a wetting voltage is needed to go through a KYZ pulse initiator and into another pulse input device such as a SCADA system, RTU, energy management system, KYZ pulse totalizer, electric meter pulse input or other telemetry or control systems which accept pulses.



The MPS-1 is available in a variety of output voltages between 3VDC and 24VDC. The output voltage needed can be specified by adding the DC voltage after the MPS-1 model number (i.e. MPS-1-24 to indicate a 24VDC output).

The power supply's low-current design provides up to 40mA for the pulse metering circuit. The output is internally current-limited and provides a fuse to prevent damage in the event of a short circuit condition. In addition, the MPS-1 power supply includes MOV transient suppression devices on both the 120/208-277 power supply input and the DC output.

MPS-1





SPECIALTY DEVICES

MPS-1 METERING POWER SUPPLY

SPECIFICATIONS

ELECTRICAL

Power Input:	120/208-277VAC
Output Voltage:	+3VDC to +24VDC, specified at the time of order
Output Current:	Nominal 40mA
Fuse:	.1A (100mA)
Voltage Regulation:	10mV @ 100% load

MECHANICAL

Mounting:	Any position
Size:	3.27" wide, 5.7" high, 1.50" deep
Weight:	1lb

TEMPERATURE

Temperature Range:	-38° C to +70° C, -36.4° F to +158° F
Humidity:	0 to 98% non-condensing

AVAILABLE OPTIONS

Input Voltages:	Contact Factory
-----------------	-----------------

MPS-1