



SPECIALTY DEVICES

MPS-2 METERING POWER SUPPLY

DESCRIPTION

The MPS-2 metering power supply, a low-cost DC power supply option, provides an isolated low-voltage DC wetting voltage designed specifically for KYZ pulse metering applications.

Packaged in the convenient SSI “small footprint” case, the MPS-2 can be used in any application where a wetting voltage is needed to go through a KYZ pulse initiator and into another pulse input device such as a SCADA system, RTU, energy management system, KYZ pulse totalizer, electric meter pulse input or other telemetry or control systems which accept pulses.

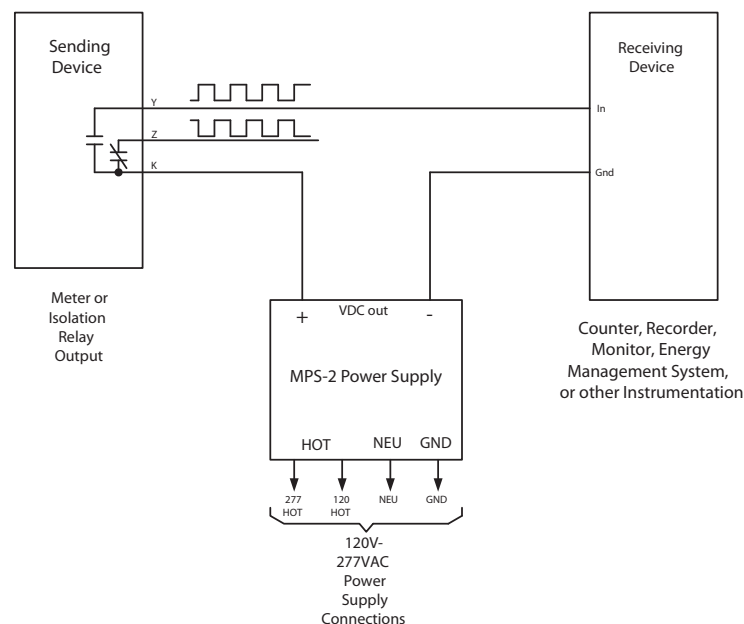


The MPS-2 is available in standard outputs of:

- MPS-2-12 (12VDC)
- MPS-2-15 (15VDC)
- MPS-2-24 (24VDC)

The power supply's low-current design provides up to 300mA for the pulse metering circuit. The output is internally current-limited and provides a fuse to prevent damage in the event of a short circuit condition. In addition, the MPS-2 power supply includes MOV transient suppression devices on both the AC power supply input and the DC output.

MPS-2





SPECIALTY DEVICES

MPS-2 METERING POWER SUPPLY

SPECIFICATIONS

ELECTRICAL

Power Input:	120-277VAC
Output Voltage:	+12VDC, +18VDC, +24VDC specified at the time of order
Output Current:	300mA @ 12VDC, 250mA @ 15VDC, Nominal 150mA @ 24VDC
Output Fuse:	0.1A (100mA)
Voltage Regulation:	0.5%

MECHANICAL

Mounting:	Any position
Size:	3.27" wide, 5.7" high, 1.50" deep
Weight:	6 ounces

TEMPERATURE

Temperature Range:	-38° C to +70° C, -36.4° F to +158° F
Humidity:	0 to 98% non-condensing

AVAILABLE OPTIONS

Input Voltages:	Contact Factory
-----------------	-----------------

MPS-2