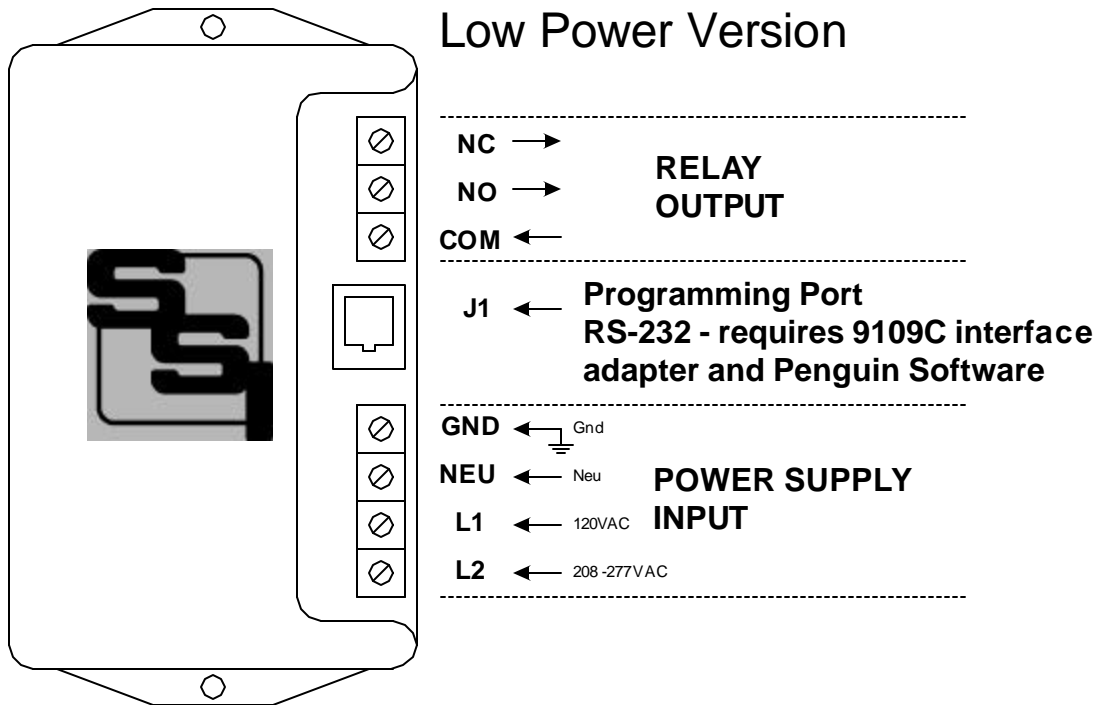


INSTRUCTION SHEET

PENGUIN III LOAD MANAGEMENT TIMER

Low Power Version



MOUNTING POSITION - The Penguin III can be mounted in any position.

POWER INPUT - The Penguin III can be powered by EITHER 120VAC or 208 to 277 VAC, between the appropriate "hot" lead and Neutral. For 120VAC, connect the hot lead to the "L1" terminal. For 208 to 277VAC connect the hot lead to the "L2" terminal. Connect the neutral lead to the NEU terminal. Connect the Ground terminal to ground.

PROGRAMMING - Connect the programming computer to the J1 phone jack. This jack requires the use of the 9109C RS-232C adapter. Warning: Do not plug a phone line into this jack. Use Penguin Programming for Windows software to program the settings of the timer.

OUTPUT - The Penguin III's relay output is an isolated Form C dry contact (SPDT) rated at 3 Amps at 250VAC. No voltage is sourced by the timer. The user must supply a voltage to the common terminal (COM) of the relay. When the relay's coil is energized (LED Red), the voltage will be present on the Normally Open terminal (NO). When the relay's coil is de-energized (LED Green), the voltage will be present on the Normally Closed terminal (NC).

FUSE - The fuse is type 3AG and may be up to 3 Amps in size. A 2 Amp fuse is supplied standard with the unit unless otherwise specified.



SOLID STATE INSTRUMENTS

a division of **Brayden Automation Corp.**
6230 Aviation Circle, Loveland, Colorado 80538
Phone: (970)461-9600 Fax: (970)461-9605
E-mail: support@solidstateinstruments.com