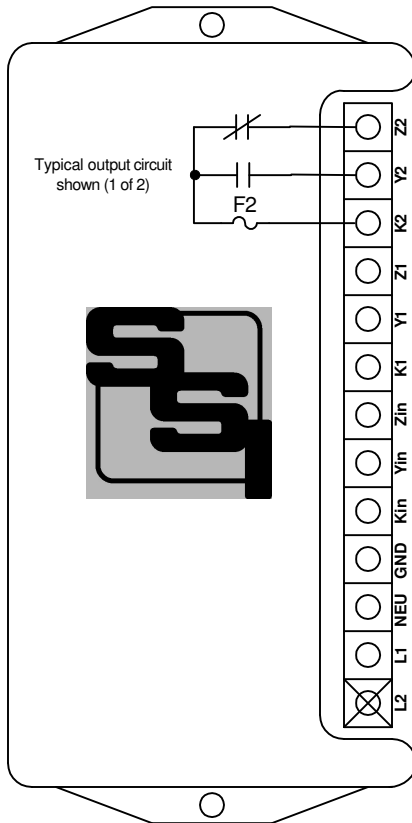


# RPR-2PS-SP2

B Series

*Elite Solid State*

## PULSE ISOLATION RELAY INSTRUCTION SHEET +125VDC INPUT



Z2 →

Y2 → **OUTPUT #2**

K2 ←

Z1 →

Y1 → **OUTPUT #1**

K1 ←

Zin →

Yin → **INPUT FROM METER**  
+12VDC sourced to meter

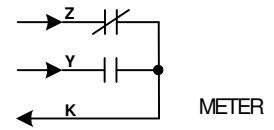
Kin ←

GND ← **EARTH  
GND**

NEU ← (-)

**POWER SUPPLY  
INPUT -  
125VDC**

L1 ← (+)



**APPLICATION** - The RPR-2PS-SP2 is designed to operate from a +125VDC power supply only.

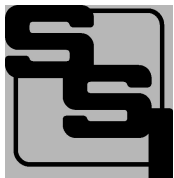
**MOUNTING POSITION** - The RPR-2PS-SP2 contains solid state relays and can be mounted in any position.

**POWER INPUT** - The RPR-2PS-SP2 must be powered by a 125VDC power supply voltage. Connect the 125VDC power supply's "hot" (+) lead to the L1 terminal. Connect the DC supply's negative (-) lead to the NEU terminal. Connect the GND terminal to electrical system ground. **DO NOT** power this relay from an AC line voltage.

**METER CONNECTIONS** - The RPR-2PS-SP2' "Kin", "Yin" and "Zin" input terminals should be connected to the meter's "K", "Y" and "Z" terminals: "Kin" to "K", "Yin" to "Y", and "Zin" to "Z". The RPR-2PS-SP2' "Kin" terminal is the common return and system ground. The "Yin" and "Zin" terminals are pulled-up to +12VDC, which provides the wetting voltage to the pulse initiator.

**FUSES** - The fuses are type 3AG and may be up to 1/2 Amp in size. 1/2 Amp fuses are supplied standard with the unit unless otherwise specified.

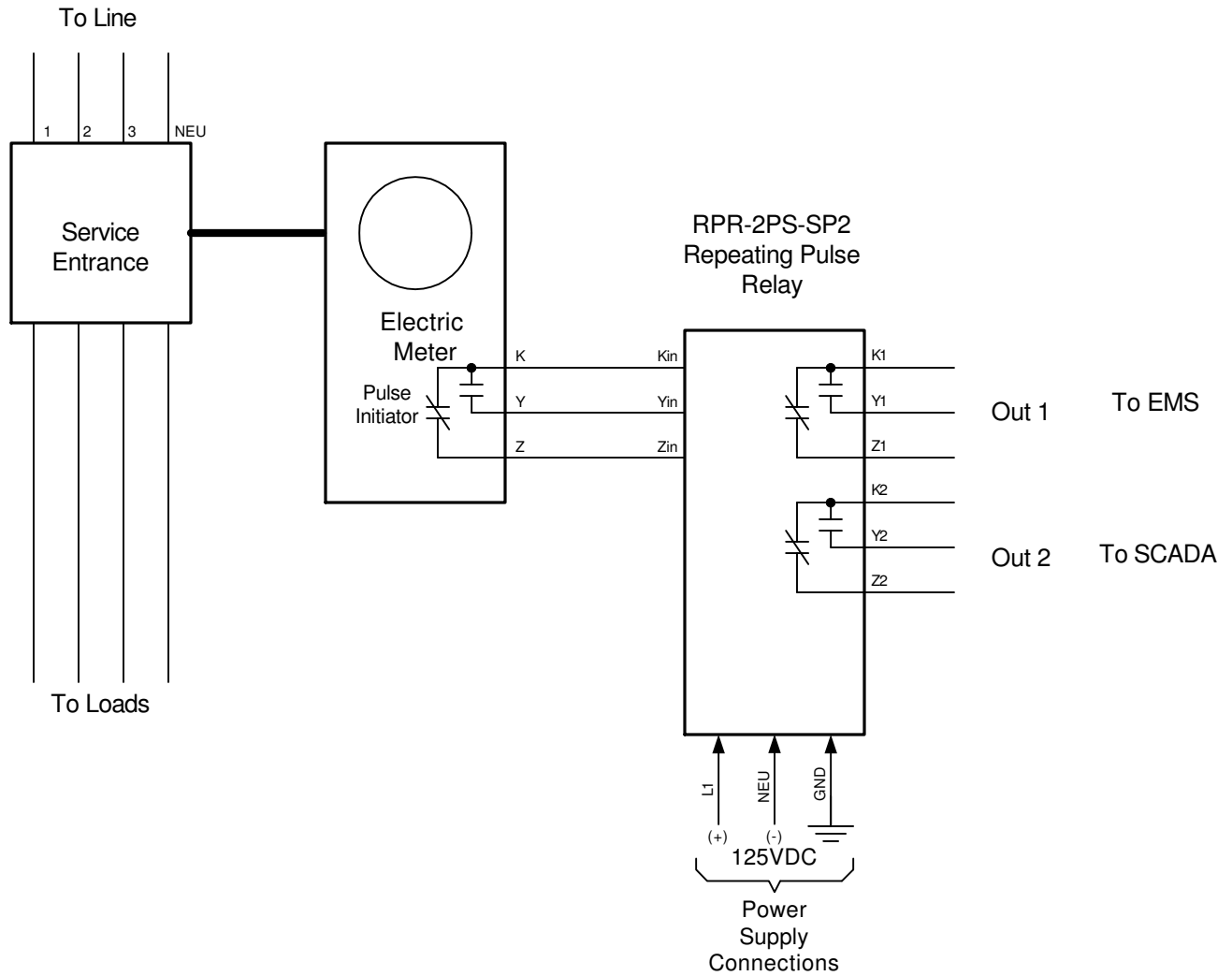
**OUTPUTS** - Two solid state three-wire isolated outputs are provided on the RPR-2PS-SP2. Transient voltage suppression for the solid state switching devices is provided internally.



## SOLID STATE INSTRUMENTS

a division of Brayden Automation Corp.  
6230 Aviation Circle, Loveland Colorado 80538  
Phone: (970)461-9600 Fax: (970)461-9605  
E-mail: support@solidstateinstruments.com

# RPR-2PS-SP2 B-Series Wiring Diagram



RPR-2PS-SP2 B-Series Repeating Pulse Relay Wiring Diagram		REVISIONS		
		NO.	DATE	DESCRIPTION
DATE ORIGINAL	SCALE			
9/30/2014	N/A			
LATEST REVISION	JOB NO.	CHECKED	DRAWN	
			WHB	

**Brayden Automation Corp./  
Solid State Instruments div.**  
6230 Aviation Circle  
Loveland, CO 80538  
(970)461-9600  
(970)461-9205 fax  
[www.solidstateinstruments.com](http://www.solidstateinstruments.com)