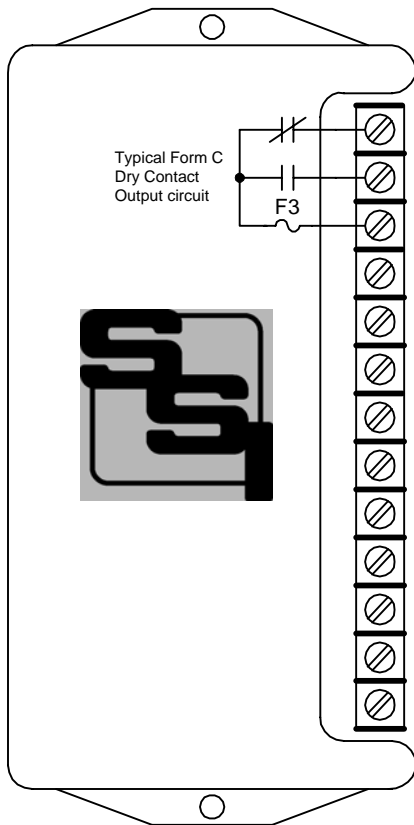


RPR-3LS

B Series

Elite Solid State

PULSE ISOLATION RELAY INSTRUCTION SHEET

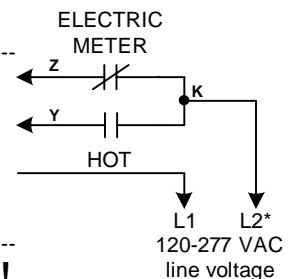


Z3 →
Y3 → **OUTPUT #3**
K3 ←

Z2 →
Y2 → **OUTPUT #2**
K2 ←

Z1 →
Y1 → **OUTPUT #1**
K1 ←

Zin →
Yin → **INPUT**
Kin ←
GND ←



CAUTION - Risk of electric shock!
All circuitry on the input side of the RPR-3LS is at line voltage potential.

*Connect L2 to neutral.

MOUNTING POSITION - The RPR-3LS B-Series can be mounted in any position.

INPUT - The RPR-3LS is powered by an AC line voltage of between 90 and 300 volts. Connect the L1 voltage of the AC line ("HOT") to the RPR-3LS' (relay) **Kin** terminal. Connect the L2 voltage of the AC line to the K terminal on the pulse initiator of the meter. If Neutral is used, it should be connected to the K terminal of the meter. Although the RPR-3LS will work with either AC polarity, this is the preferred hookup configuration, so that maximum electrical safety is achieved. The RPR-3LS will not operate without all three wires between it, the power supply and the meter as shown on Page 2. Connect the RPR-3LS' **GND** terminal to the electrical system ground. The RPR-3LS' power supply is auto-ranging and does not require any configuration for any voltage in the operating range. No other power supply is required to use the RPR-3LS relay. The meter's KYZ pulse initiator must be rated for the line voltage used.

FUSES - The fuses are type 3AG and may be up to 1/2 Amp in size. Four 1/2 Amp fuses (F1 through F4) are supplied standard with the unit unless otherwise specified. F1 through F3 are for outputs 1 through 3 respectively. F4 is for power input protection in series with the Kin terminal.

OUTPUTS - Three 3-wire isolated outputs are provided on the RPR-3LS, with output terminals K1, Y1 & Z1; K2, Y2, & Z2; and K3, Y3, & Z3. Typical output circuit shown above. Arc suppression for the contacts of the solid-state relays is provided internally.



SOLID STATE INSTRUMENTS

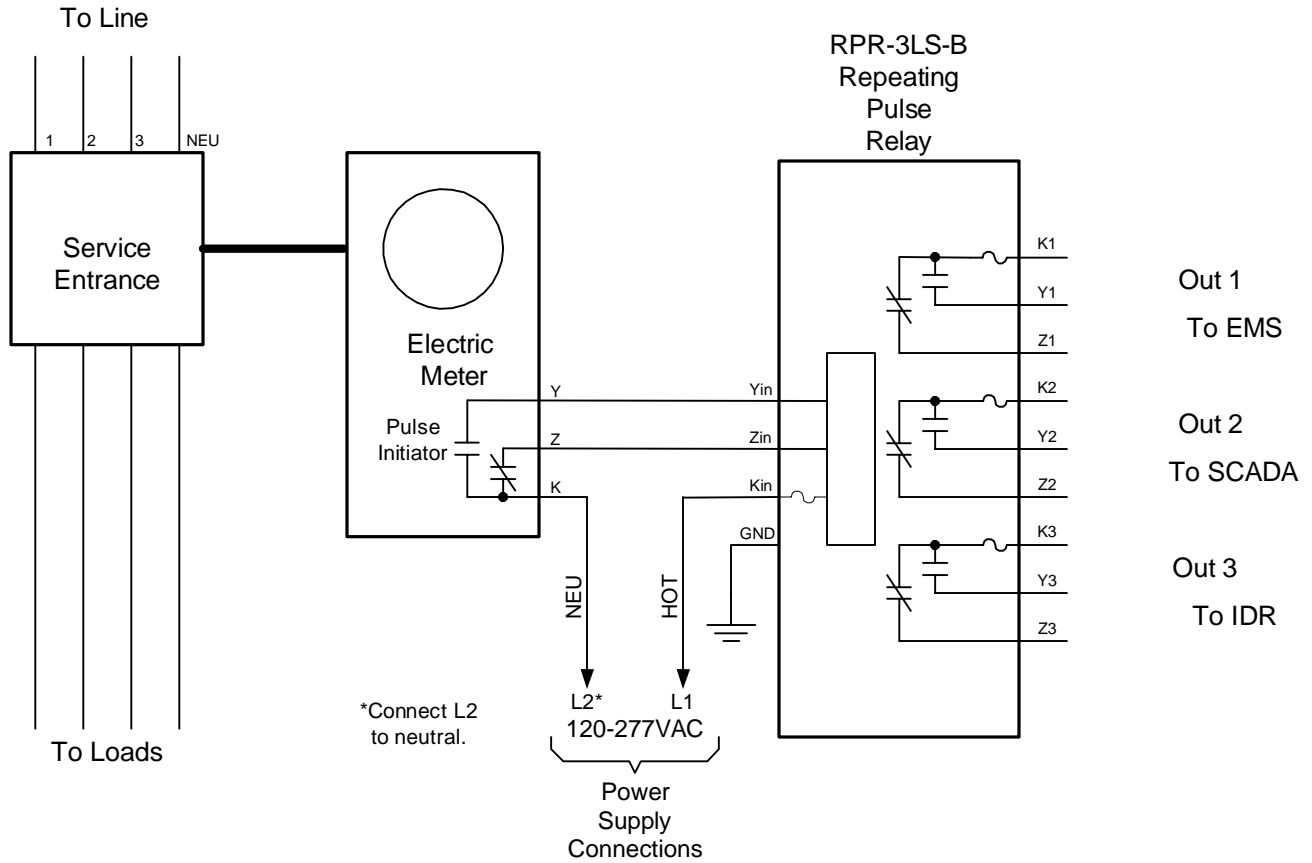
a division of Brayden Automation Corp.

6230 Aviation Circle, Loveland, Colorado 80538

Phone: (970)461-9600 Fax: (970)461-9605

E-mail: support@solidstateinstruments.com

RPR-3LS B-Series Wiring Diagram



<p>RPR-3LS B-Series Repeating Pulse Relay Wiring Diagram</p>		REVISIONS	
		NO.	DATE
DATE ORIGINAL	SCALE		
05/24/12	N/A		
LATEST REVISION	JOB NO.	CHECKED	DRAWN
			WHB

Brayden Automation Corp./ Solid State Instruments div.
 6230 Aviation Circle
 Loveland, CO 80538
 (970)461-9600
 (970)461-9205 fax
www.solidstateinstruments.com