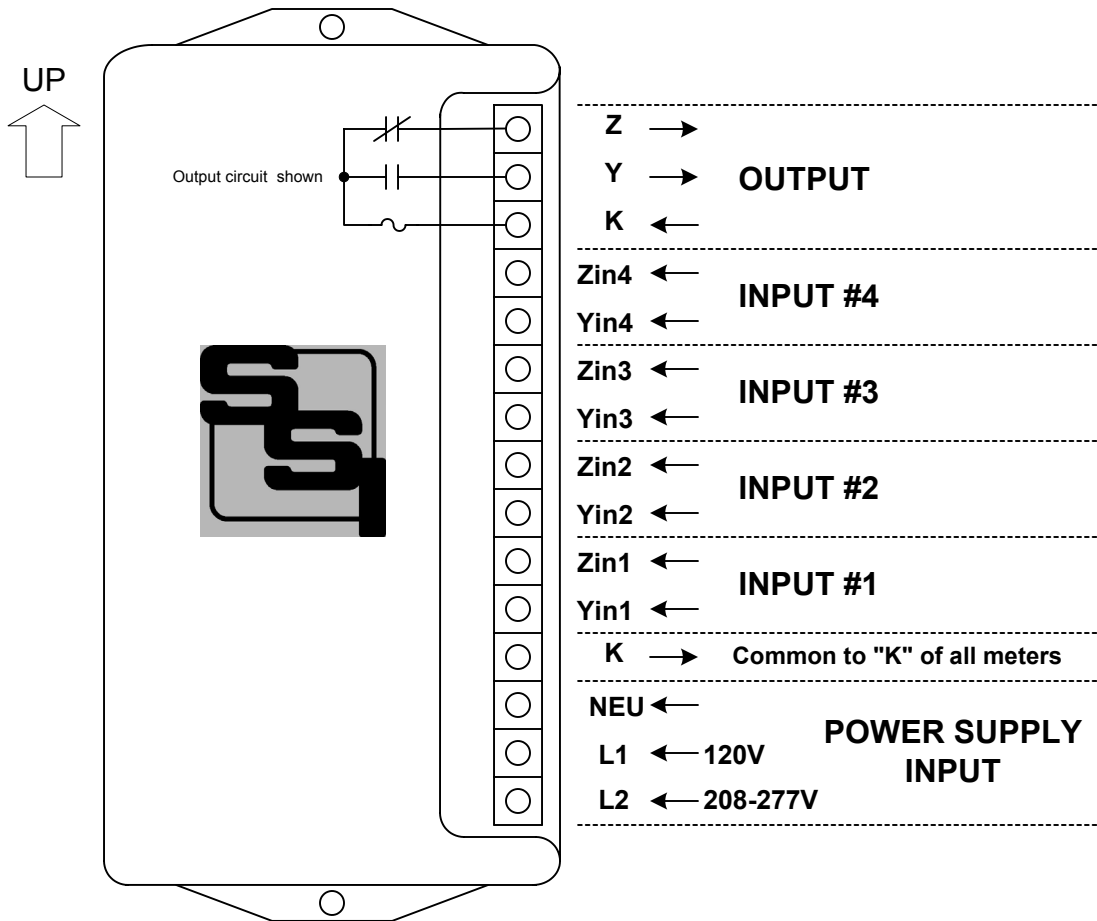


INSTRUCTION SHEET

MPT-4B PULSE TOTALIZING RELAY



MOUNTING POSITION - Because the MPT-4B contains a mercury-wetted relay, it must be mounted in a vertical position to operate correctly.

POWER INPUT - To power the MPT-4B with a 120VAC power supply, use the **NEU** and the **L1** power supply input terminals. For 208, 240 or 277 VAC operation, use the **NEU** and **L2** power supply input terminals.

METER CONNECTIONS - The MPT-4B's "K" terminal provides the common return for all of the meters' "K" terminals. The MPT-4B uses only 3-Wire inputs. Connect each meter's "Y" and "Z" terminals to the "Y" and "Z" terminals of the desired input channel of the MPT-4B. Each "Y" and "Z" input provide its own wetting (sense) voltage to the meter's "Y" and "Z" terminals. Meter's pulse output can be dry-contact, solid state or mechanical.

OUTPUTS - One three-wire isolated output is provided on the MPT-4. Arc suppression for the contacts of the mercury-wetted relay are provided internally. The output loads should be limited to 2 Amps by fuse F1. A 1/2 Amp fuse is supplied standard with the unit unless otherwise specified.

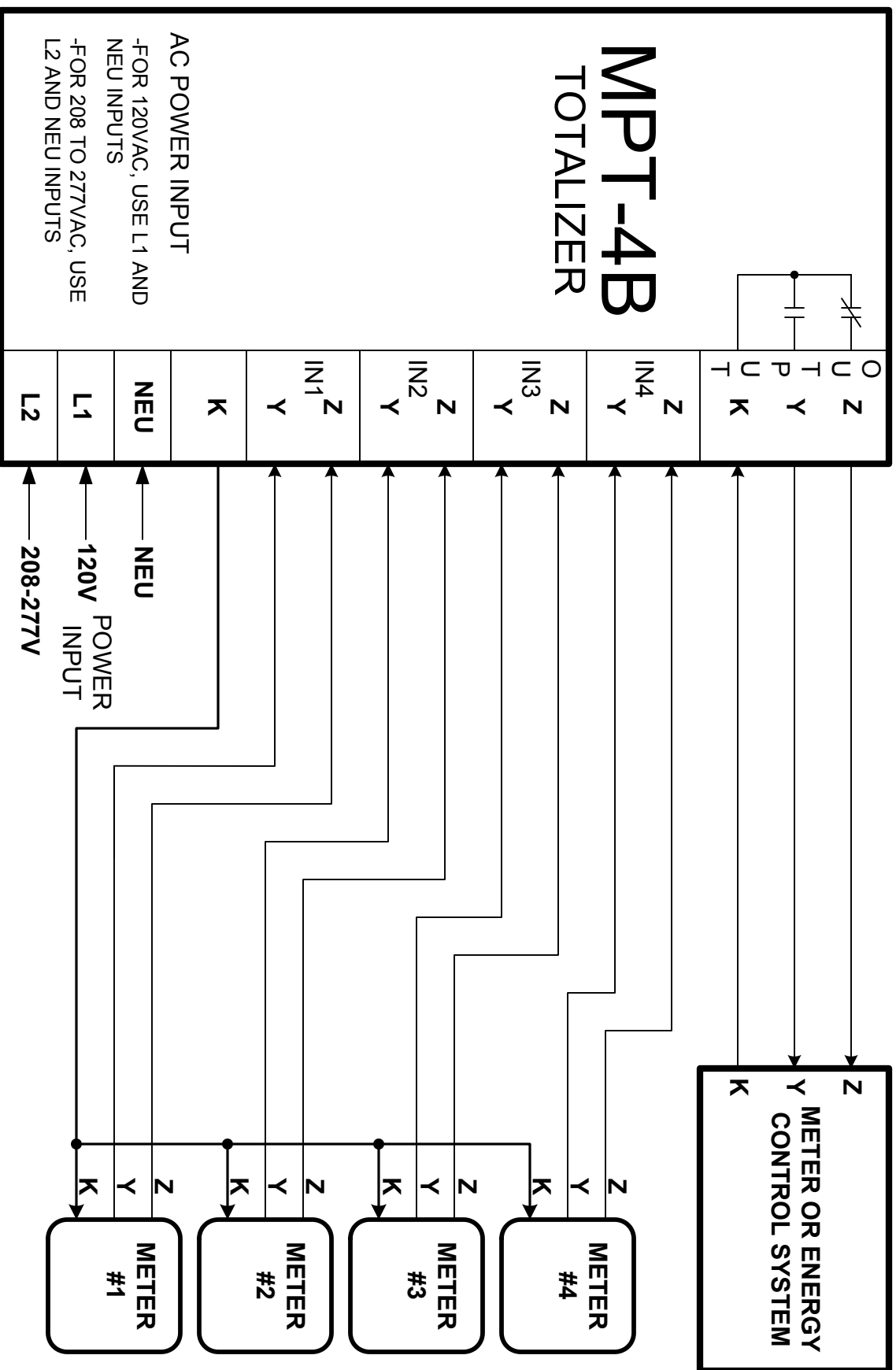


SOLID STATE INSTRUMENTS

a division of Brayden Automation Corp.
 6230 Aviation Circle, Loveland Colorado 80538
 Phone: (970)461-9600 Fax: (970)461-9605
 E-mail: support@solidstateinstruments.com

MPT-4B Electrical Wiring

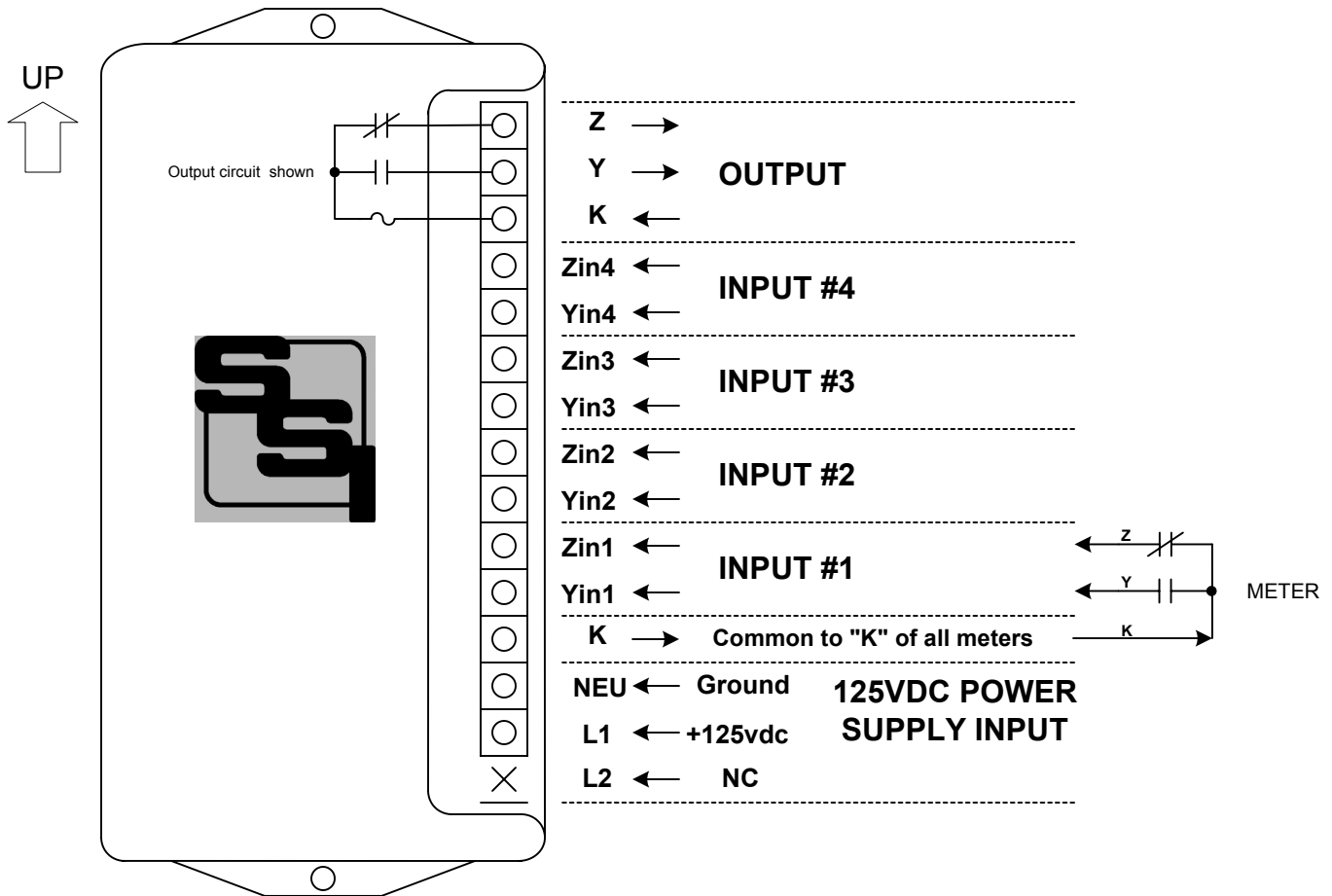
Solid State Instruments, a Division of Brayden Automation Corp. Fort Collins, Colorado 80538 (970)461-9600



NOTE: A Sense Voltage of +13VDC is applied to the meters via the "Y" or "Z" leads from the MPT-4B. The "K" lead is the common return.

INSTRUCTION SHEET

MPT-4B-SP2 PULSE TOTALIZING RELAY



MOUNTING POSITION - Because the MPT-4B contains a mercury-wetted relay, it must be mounted in a vertical position to operate correctly.

POWER INPUT - The MPT-4B-SP2 is configured for +125VDC. Connect the "+" lead to the **L1** power supply input terminal. Connect the Ground lead (-) to the **NEU** terminal.

METER CONNECTIONS - The MPT-4B-SP2's "K" terminal provides the common return for all of the meters' "K" terminals. The MPT-4B-SP2 uses only 3-Wire inputs. Connect each meter's "Y" and "Z" terminals to the "Y" and "Z" terminals of the desired input channel of the MPT-4B-SP2. Each "Y" and "Z" input provide its own wetting (sense) voltage to the meter's "Y" and "Z" terminals. Meter's pulse output can be dry-contact, solid state or mechanical.

OUTPUTS - One three-wire isolated output is provided on the MPT-4B-SP2. Arc suppression for the contacts of the mercury-wetted relay are provided internally. The output load should be limited to 2 Amps by fuse F1. A 1/2 Amp fuse is supplied standard with the unit unless otherwise specified.

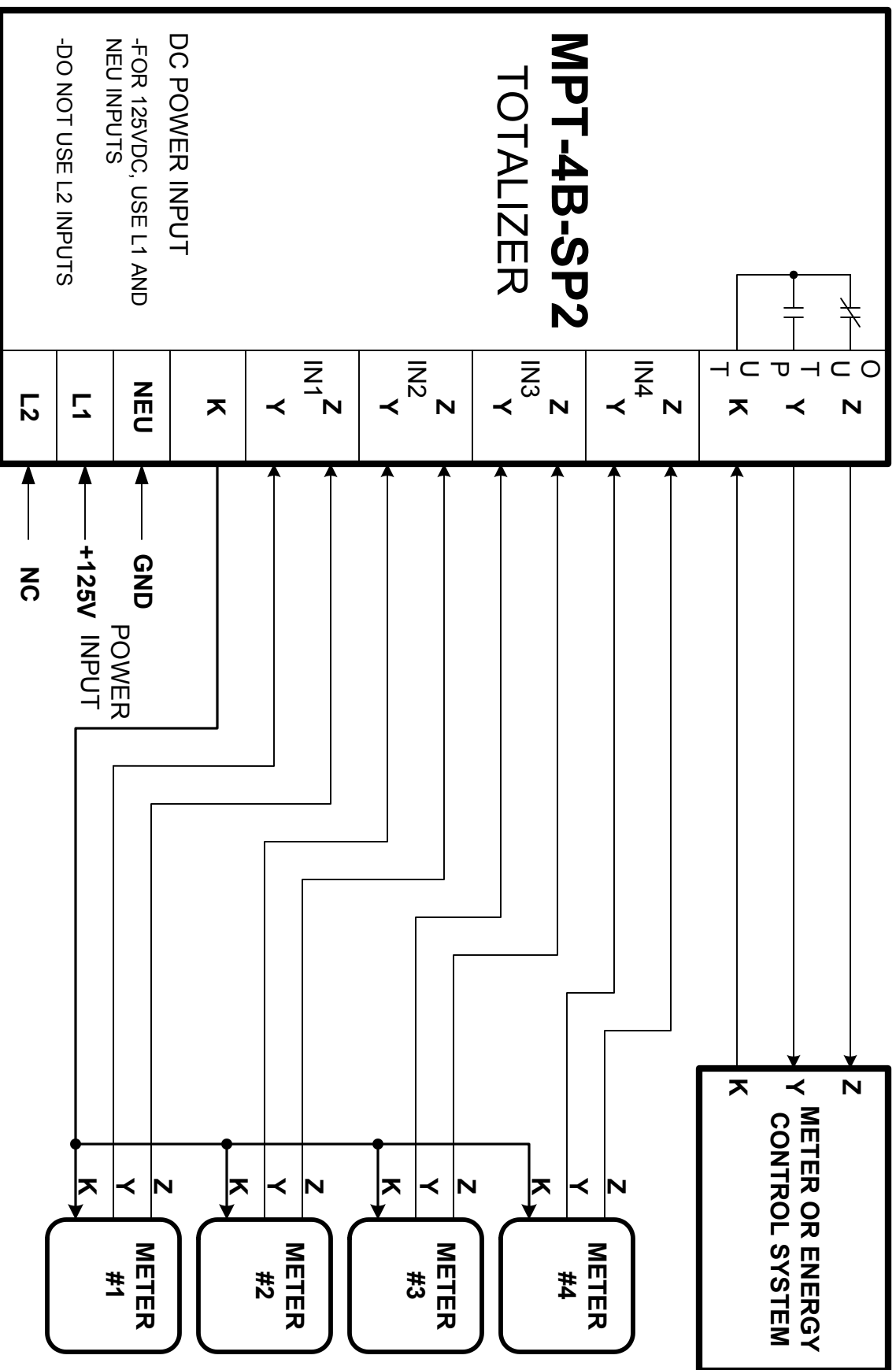


SOLID STATE INSTRUMENTS

a division of Brayden Automation Corp.
 6230 Aviation Circle, Loveland Colorado 80538
 Phone: (970)461-9600 Fax: (970)461-9605
 E-mail: support@solidstateinstruments.com

MPT-4B-SP2 Electrical Wiring

Solid State Instruments, a Division of Brayden Automation Corp. Fort Collins, Colorado 80538 (970)461-9600



NOTE: A Sense Voltage of +13VDC is applied to the meters via the "Y" or "Z" leads from the MPT-4B-SP2. The "K" lead is the common return.