



PULSE LINKS

OPR-1 OPTICAL PULSE RECEIVER

DESCRIPTION

The OPL-Series of Optical Fiber Pulse Links are transmitter/receiver pairs that use fiber optic cable to send metering pulses over long distances. Each system consists of an OPT-1 transmitter and an OPR-1 receiver. The OPR-1 can receive pulses over distances up to approximately 3 miles, depending on the type of fiber optic cable used. Pulses are conditioned and sent by the cable to the OPR-1 where the pulse information is validated and implemented into the correct pulse state. The output is configured as a Form C, but can be used as a Form A (2-wire) or a Form C (3-wire) depending on the transmitter's input configuration selection. An OPR-1 receiver requires an OPT-1 transmitter.



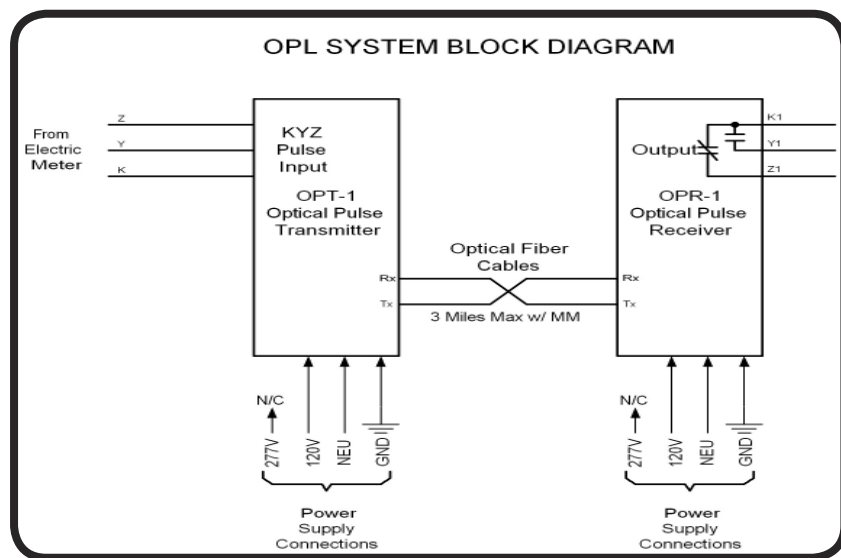
FUNCTIONAL SUMMARY

| | IN | OUT |
|------|---------------|--------|
| # | 1 | 1 |
| TYPE | Optical Fiber | 3 Wire |
| FORM | - | C |

Bright red and green LEDs are included on the OPR-1 to monitor the output status. The dry contact output features a 1/4 amp solid-state relay for a no-bounce contact with internal MOV transient suppression circuitry to eliminate contact noise. Rapid pulse rates in excess of 20 pulses per second are possible.

The OPR-1 is available standard on a .062" aluminum mounting plate with keyhole slots for quick mounting. Weighing in at 2.0 pounds, the OPR-1 measures 5.50" wide, 9.50" long, and 3.50" high. The optional NEMA 4X raintight and dustproof enclosure is also available. The enclosure is 12.0" high, 10.0" wide, and 6.0" deep.

OPR-1





PULSE LINKS

OPR-1 OPTICAL PULSE RECEIVER

SPECIFICATIONS

ELECTRICAL

| | |
|---------------------------------|---|
| Power Input: | 120, 208-277 VAC. Burden: 5 VA |
| Signal Input: | Optical fiber inpuete from OPT Transmitter |
| Output: | Once Form C (K,Y & Z) solid state, dry contact output |
| Maximum Output Voltage: | 250 VAC |
| Maximum Output Current: | 1/4 Amp |
| Maximum Power Rating: | 25 VA |
| Contact On-State Resistance: | 5 ohms maximum, 3 ohms typical |
| Switching Time: | Turn On: 5 milliseconds typical Turn Off: 3 milliseconds typical |
| Input/Output Isolation Voltage: | 2500Vrms (of relay alone) |

MECHANICAL

| | |
|-----------|---|
| Mounting: | Any position. Mounted on aluminum base plate with mounting tabs and keyhole slots |
| Size: | 5.5" wide, 9.5" high, 3.5" deep |
| Weight: | 2 pounds |

TEMPERATURE

| | |
|--------------------|---------------------------------------|
| Temperature Range: | -38° C to +70° C, -36.4° F to +158° F |
| Humidity: | 0 to 98% non-condensing |

OPTIONS

| | |
|-----------------|--|
| Input Voltages: | Contact Factory |
| Enclosure: | NEMA 4X raintight and dustproof enclosure available. 12.0" high, 10.0" wide, 6.0" deep |
| Fiber: | Single mode model available by special order |

OPR-1