



PULSE LINKS

OPR-4 OPTICAL PULSE RECEIVER

DESCRIPTION

The OPL-Series of Optical Fiber Pulse Links are transmitter/receiver pairs that use fiber optic cable to send metering pulses over long distances. Each system consists of an OPT-4 transmitter and an OPR-4 receiver. The OPR-4 can receive pulses over distances up to approximately 3 miles, depending on the type of fiber optic cable used. Pulses are conditioned and sent by the cable to the OPR-4 where the pulse information is validated and implemented into the correct pulse state. The outputs are configured as a Form C, but can be used as a Form A (2-wire) or a Form C (3-wire) depending on the transmitter's configuration selection of each input. An OPR-4 receiver requires an OPT-4 transmitter.

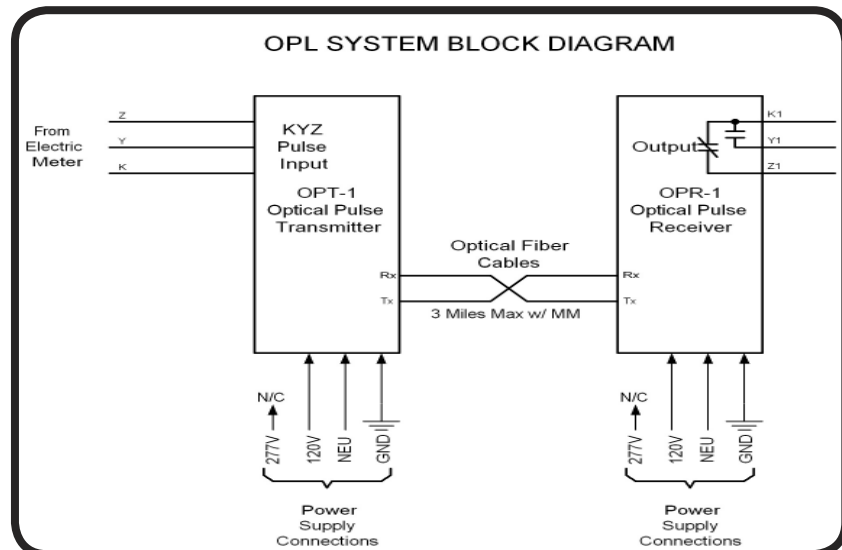


Bright red and green LEDs are included on each output of the OPR-4 to monitor each output's status. The dry contact outputs feature 1/4 amp solid-state relays for a no-bounce contact with internal MOV transient suppression circuitry to eliminate contact noise. Rapid pulse rates in excess of 20 pulses per second are possible.

The OPR-4 is available standard on a .062" aluminum mounting plate with keyhole slots for quick mounting. Weighing in at 2.0 pounds, the OPR-4 measures 5.50" wide, 9.50" long, and 3.50" high. The optional NEMA 4X raintight and dustproof enclosure is also available. The enclosure is 12.0" high, 10.0" wide, and 6.0" deep.

FUNCTIONAL SUMMARY		
	IN	OUT
#	1	4
TYPE	Optical Fiber	3 Wire
FORM	-	C

OPR4





PULSE LINKS

OPR-4 OPTICAL PULSE RECEIVER

SPECIFICATIONS

ELECTRICAL

Power Input:	120, 208-277 VAC. Burden: 5 VA
Signal Input:	Optical fiber inpuete from OPT Transmitter
Output:	Four Form C (K,Y, & Z) solid state, dry contact outputs
Maximum Output Voltage:	250 VAC
Maximum Output Current:	1/4 AMP
Maximum Power Rating:	25 VA
Contact On-State Resistance:	5 ohms maximum, 3 ohms typical
Switching Time:	Turn On: 5 milliseconds typical Turn Off: 3 milliseconds typical
Input/Output Isolation Voltage:	2500Vrms (of relay alone)

MECHANICAL

Mounting:	Any position. Mounted on aluminum base plate with mounting tabs and keyhole slots
Size:	5.5" wide, 9.5" high, 3.5" deep
Weight:	2 pounds

TEMPERATURE

Temperature Range:	-38° C to +70° C, -36.4° F to +158° F
Humidity:	0 to 98% non-condensing

OPTIONS

Input Voltages:	Contact Factory
Enclosure:	NEMA 4X raintight and dustproof enclosure available. 12.0" high, 10.0" wide, 6.0" deep
Fiber:	Single mode model available by special order

OPR-4