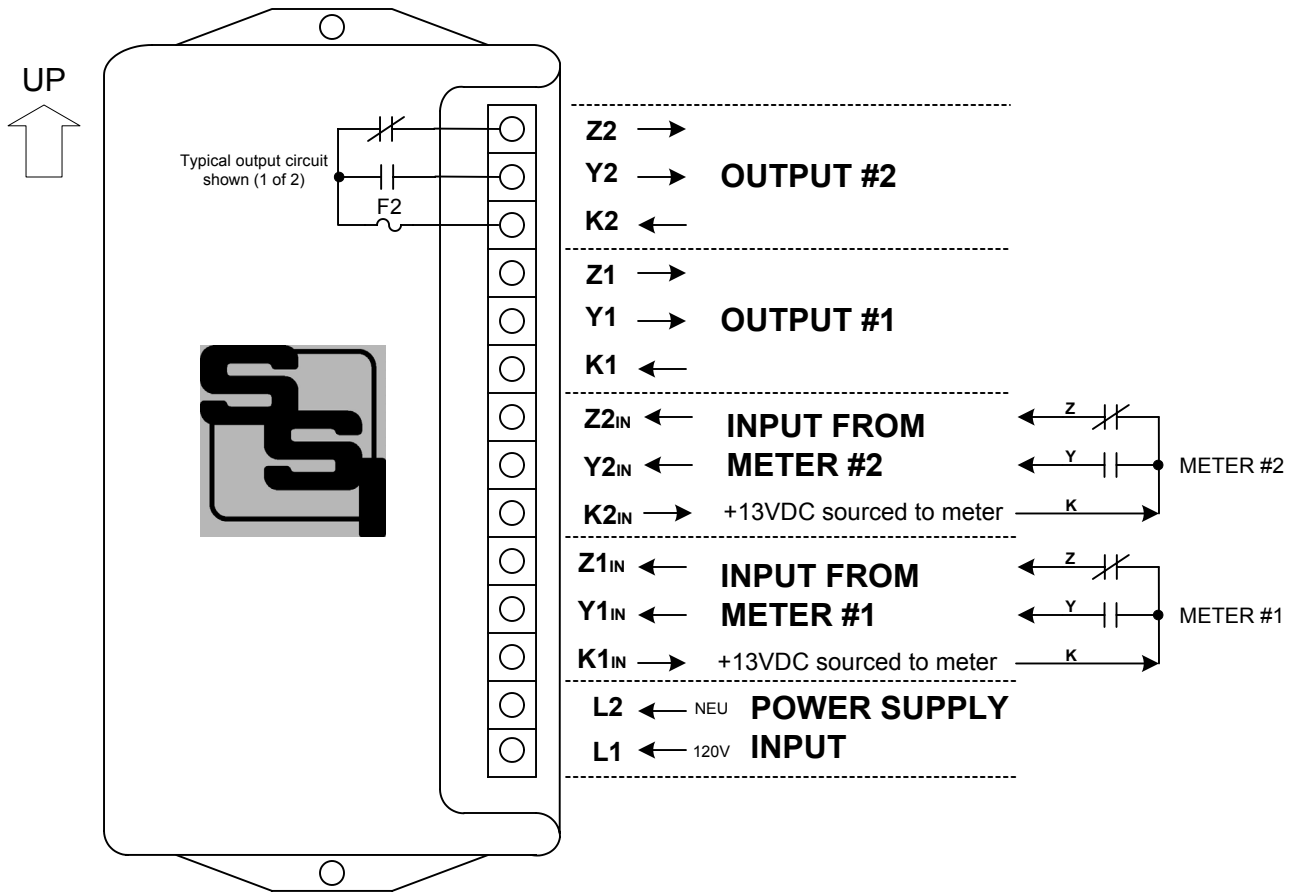


INSTRUCTION SHEET

RPR-22 DUAL PULSE ISOLATION RELAY



MOUNTING POSITION - Because the RPR-22 contains mercury-wetted relays, it must be mounted in a vertical position to operate correctly.

POWER INPUT - Connect a continuous power source of between 90 and 325 VAC to terminals L1 and L2. Connect the hot lead to the L1 terminal and the neutral to the L2 terminal.

METER CONNECTIONS - The RPR-22 has two separate sets of "K", "Y" and "Z" input terminals. Each should be connected to the meter's "K", "Y" and "Z" terminals: "K" to "K", "Y" to "Y", and "Z" to "Z". The RPR-22's "K" terminal provides the +13VDC wetting voltage to the meter's "K" terminal. The RPR-22 can only be used with a 3-wire metering system.

FUSES - The fuses are type 3AG and may be up to 2 Amps in size. Two 1/2 Amp fuses (F1 and F2) are supplied standard with the unit unless otherwise specified.

OUTPUTS - Outputs #1 & #2 are independent of each other and are a Form "C" 3-wire output configuration. Output #1 follows the state of Input #1. Output #2 follows the state of Input #2. Arc suppression for the contacts of each mercury-wetted relay is provided internally.



SOLID STATE INSTRUMENTS

a division of Brayden Automation Corp.
6230 Aviation Circle, Loveland Colorado 80538
Phone: (970)461-9600 Fax: (970)461-9605
E-mail: support@solidstateinstruments.com

KYZ Applications using the RPR-22

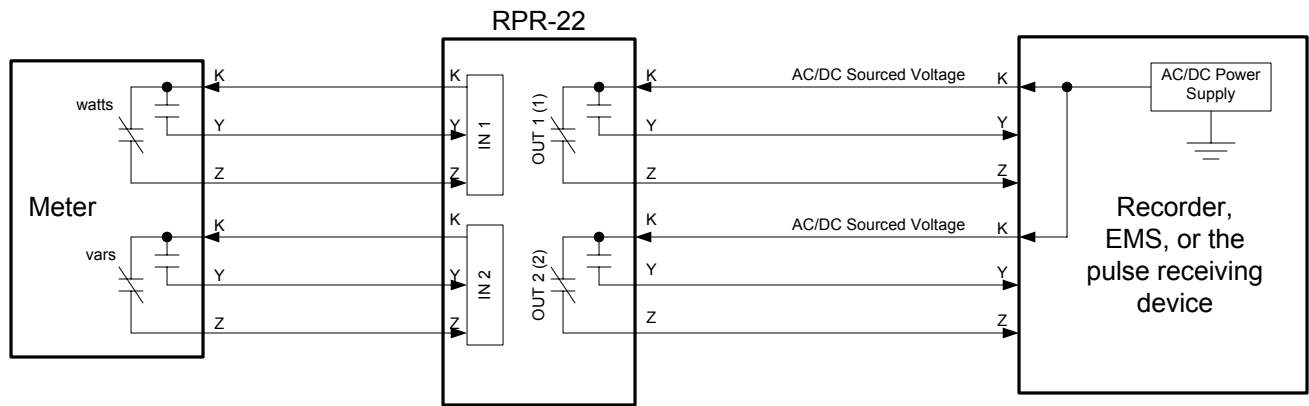


Figure 1

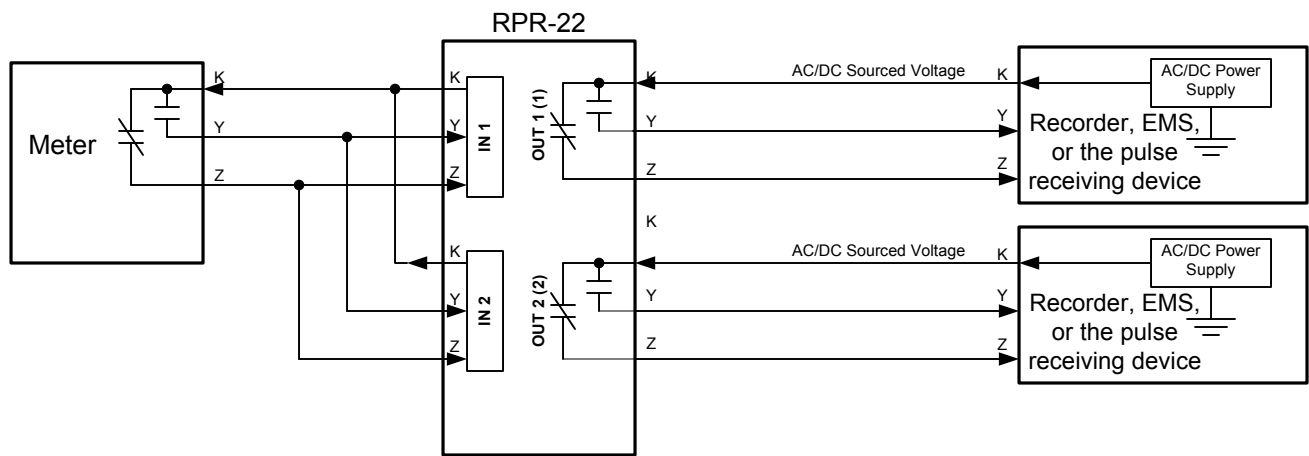


Figure 2

The RPR-22 is inserted between the meter(s) and the pulse receiving device(s). Pulses may represent watts, watt-hours, vars, var-hours, etc depending on the source of the pulses. Pulses received by Input #1 are repeated on Output #1. Pulse received on Input #2 are repeated on Outputs #2. The RPR-22 may use used as two independent single channel isolation relays as shown in Figure 1 above or as a splitting relay as shown in Figure #2, where the two outputs both repeat one pulse input source.

KYZ Applications - Using the RPR-22		REVISIONS	
		NO.	DATE
DATE ORIGINAL 1/15/2002	SCALE N/A		
LATEST REVISION	JOB NO.	CHECKED	DRAWN WHB

**Brayden Automation Corp./
Solid State Instruments div.**
 6230 Aviation Circle
 Loveland, CO 80538
 (970)461-9600
 (970)461-9605 fax
 www.brayden.com