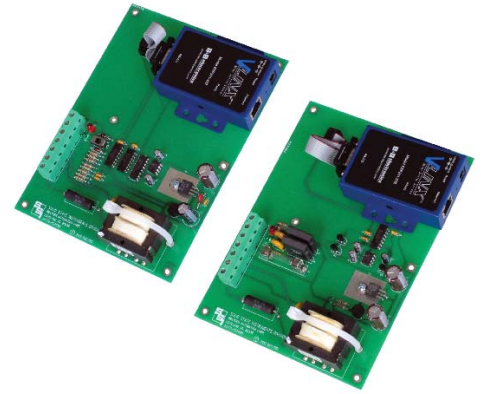




PULSE LINKS

EPR-1 Ethernet Pulse Receiver

DESCRIPTION



FUNCTIONAL SUMMARY

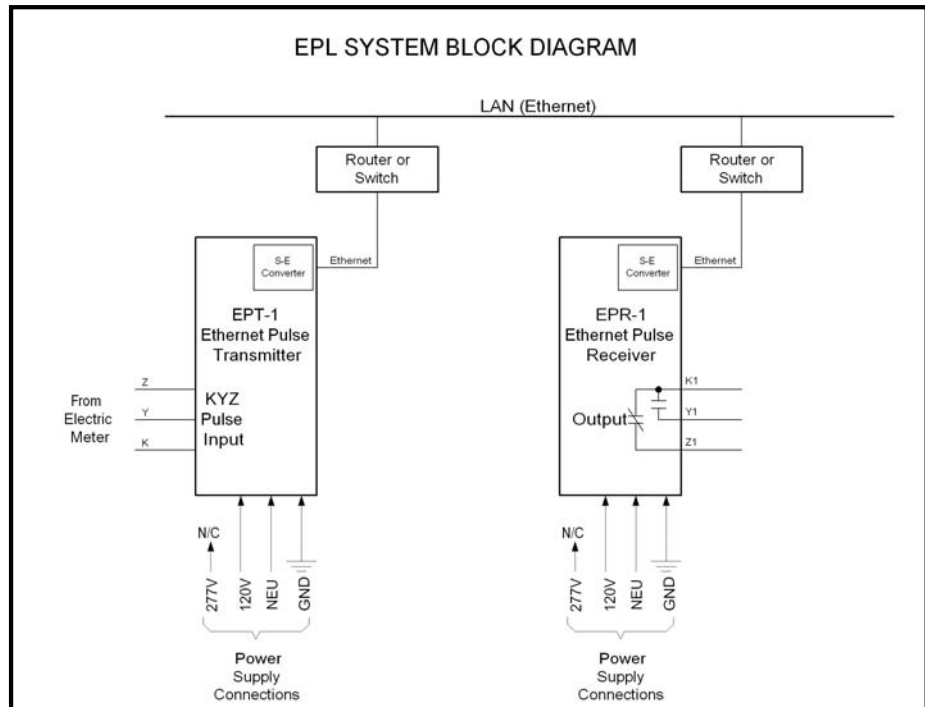
	IN	OUT
#	1	1
TYPE	Optical Fiber	3 Wire
FORM	-	C

The EPL-1 Ethernet Pulse Link System consists of a transmitter/receiver pair that uses the building's local area network (LAN) to send metering pulses over distances where running pulse wiring would be difficult or impossible, or net cost effective. Each system consists of an EPT-1 transmitter and an EPR-1 receiver. The EPR-1 receives pulse information data from the EPT-1. Once received by the EPR-1 the pulse information is decoded, validated and implemented into the correct pulse output state. The output is configured as a Form C, but can be used as either a Form A (2-wire) or a Form C (3-wire) depending on the transmitter's input configuration selection. The EPR-1 receiver requires an EPT-1 transmitter to create the EPL-1 ethernet pulse link system. Both the EPT-1 and EPR-1 require a static IP address so that they can communicate with each other.

Bright red and green LEDs are included on the EPR-1 to monitor the output status. The dry-contact, optically-coupled output features a 500mA solid-state MOS relay for a no-bounce contact with internal MOV transient suppression circuitry to eliminate contact noise. Maximum pulse rates of up to 4 pulses per second are possible.

The EPR-1 is available standard on a .062" aluminum mounting plate with keyhole slots for quick mounting. Weighing in at 2.0 pounds, the EPR-1 measures 5.50" wide, 9.50" long, and 3.50" high. The optional NEMA 4X raintight and dustproof enclosure is also available. The enclosure is 12.0" high, 10.0" wide, and 6.0" deep.

EPR-1





PULSE LINKS

EPR-1 Ethernet Pulse Receiver

SPECIFICATIONS

ELECTRICAL

Power Input:	120, 208-277 VAC. Burden: 10 VA max
Signal Input:	Ethernet standard RJ45 jack for connection to LAN router or switch
Output:	Once Form C (K, Y & Z) solid state, dry contact output
Maximum Pulse Rate:	1 Pulse per second (Form C)
Maximum Output Voltage:	250 VAC
Maximum Output Current:	1/4 Amp
Maximum Power Rating:	25 VA
Contact On-State Resistance:	5 ohms maximum, 3 ohms typical
Switching Time:	Turn On: 5 mS typical, 20 mS maximum Turn Off: 3 mS typical, 5 mS maximum
Input/Output Isolation Voltage:	2500Vrms (of relay alone)

MECHANICAL

Mounting:	Any position. Mounted on aluminum base plate with mounting tabs and keyhole slots
Size:	5.5" wide, 9.5" high, 3.5" deep
Weight:	2 pounds

TEMPERATURE

Temperature Range:	-38° C to +70° C, -36.4° F to +158° F
Humidity:	0 to 98% non-condensing

OPTIONS

Input Voltages:	Contact Factory
Enclosure:	NEMA 4X raintight and dustproof enclosure available. 12.0" high, 10.0" wide, 6.0" deep

EPR-1