

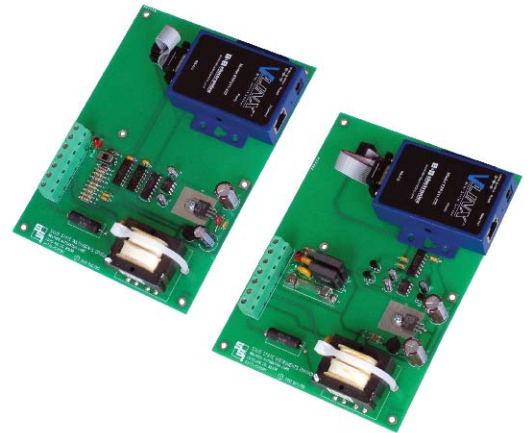


PULSE LINKS

EPT-1 Ethernet Pulse Transmitter

DESCRIPTION

The EPT-1 Ethernet Pulse Transmitter receives pulses from the meter's KYZ pulse initiator or output and conditions them to sent over the building's local area network (LAN) to the EPR-1 Receiver. The EPT-1 features a field-selectable Form A (2-wire) or Form C (3-wire) input capable of interfacing to almost any kind of pulse output device with a dry contact output. The EPT-1 provides its own +13VDC wetting voltage to the meter eliminating the need for any external wetting voltage. The power supplies and connectors are provided making it possible to implement a pulse link in minutes.



The EPT-1 transmitter requires an EPR-1 receiver to create the EPL-1 ethernet pulse link system. Both the EPT-1 and EPR-1 require a static IP address so that they can communicate with each other.

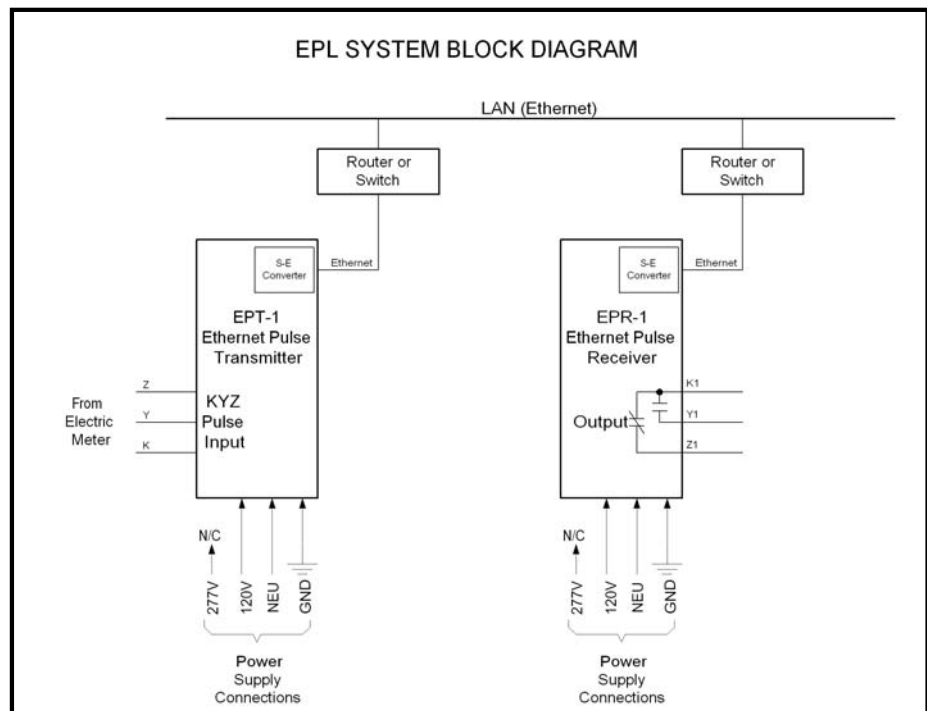
Bright red and green LEDs monitor the input status on the EPT-1 transmitter and provide easy and immediate visual indication without test equipment. A selector switch allows selection of Form A (2-wire) or Form C (3-wire) input configuration.

The EPT-1 comes standard mounted on a .062" aluminum base plate with mounting tabs and keyhole mounting slots. The unit weighs 2.0 pounds and can be mounted in any position. It is also available in a NEMA 4X raintight enclosure measuring 12" X 10" x 4".

EPT-1

FUNCTIONAL SUMMARY

	IN	OUT
#	1	1
TYPE	2 or 3 Wire	Optical Fiber
FORM	A or C	-





PULSE LINKS

EPT-1 Ethernet Pulse Transmitter

SPECIFICATIONS

ELECTRICAL

Power Input:	120, 208-277 VAC. Burden: 10 VA
Signal Input:	One Form A (K & Y) or Form C (K, Y, & Z) input from the sending device (meter)
Output:	Ethernet standard RJ45 jack for connection to LAN router or switch
Maximum Pulse Rate:	1 Pulse per second (Form C)
Sense Voltage:	+13VDC provided to the sending device(s) from "pulled up" Y and Z input terminals
Transmission Distance:	Limited by Local Area Network

MECHANICAL

Mounting:	Any position. Mounted on aluminum base plate with mounting tabs and keyhole mounting slots.
Size:	5.5" wide, 9.5" high, 3.5" deep
Weight:	2 pounds

TEMPERATURE

Temperature Range:	-38° C to +70° C, -36.4° F to +158° F
Humidity:	0 to 98% non-condensing

OPTIONS

Input Voltages:	Contact Factory
Enclosure:	NEMA 4X raintight and dustproof enclosure available. 12.0" high, 10.0" wide, 6.0" deep

EPT-1