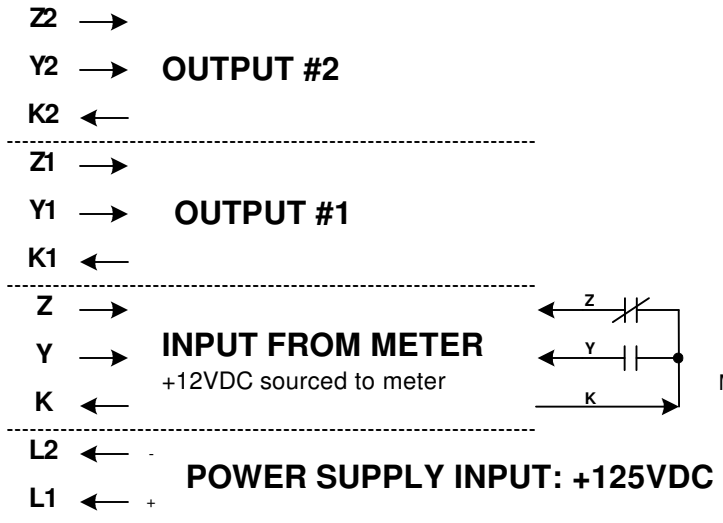
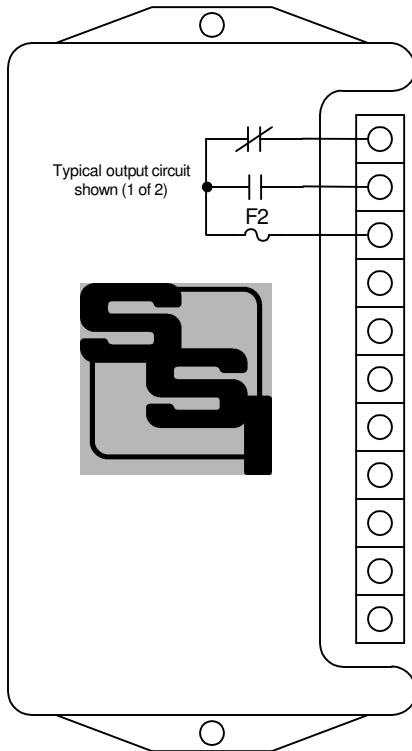


# RPR-2PS-SP2

*Elite Solid State*

# PULSE ISOLATION RELAY INSTRUCTION SHEET +125VDC INPUT



**APPLICATION** - The RPR-2PS-SP2 is designed to operate from a 125VDC power supply only. Do not power with AC line voltage.

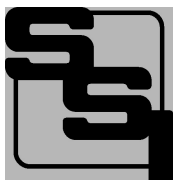
**MOUNTING POSITION** - The RPR-2PS-SP2 contains solid state relays and can be mounted in any position.

**POWER INPUT** - Connect the RPR-2PS-SP2's "L1" terminal to the +125VDC power supply source(positive). Connect the "L2" terminal to the negative or power supply ground.

**METER CONNECTIONS** - The RPR-2PS-SP2's "K", "Y" and "Z" input terminals should be connected to the meter's "K", "Y" and "Z" terminals: "K" to "K", "Y" to "Y", and "Z" to "Z". The RPR-2PS-SP2's "K" terminal provides the +13VDC wetting voltage to the meter's "K" terminal.

**FUSES** - The fuses are type 3AG and may be up to 1/2 Amp in size. Two 1/2 Amp fuses are supplied standard with the unit unless otherwise specified.

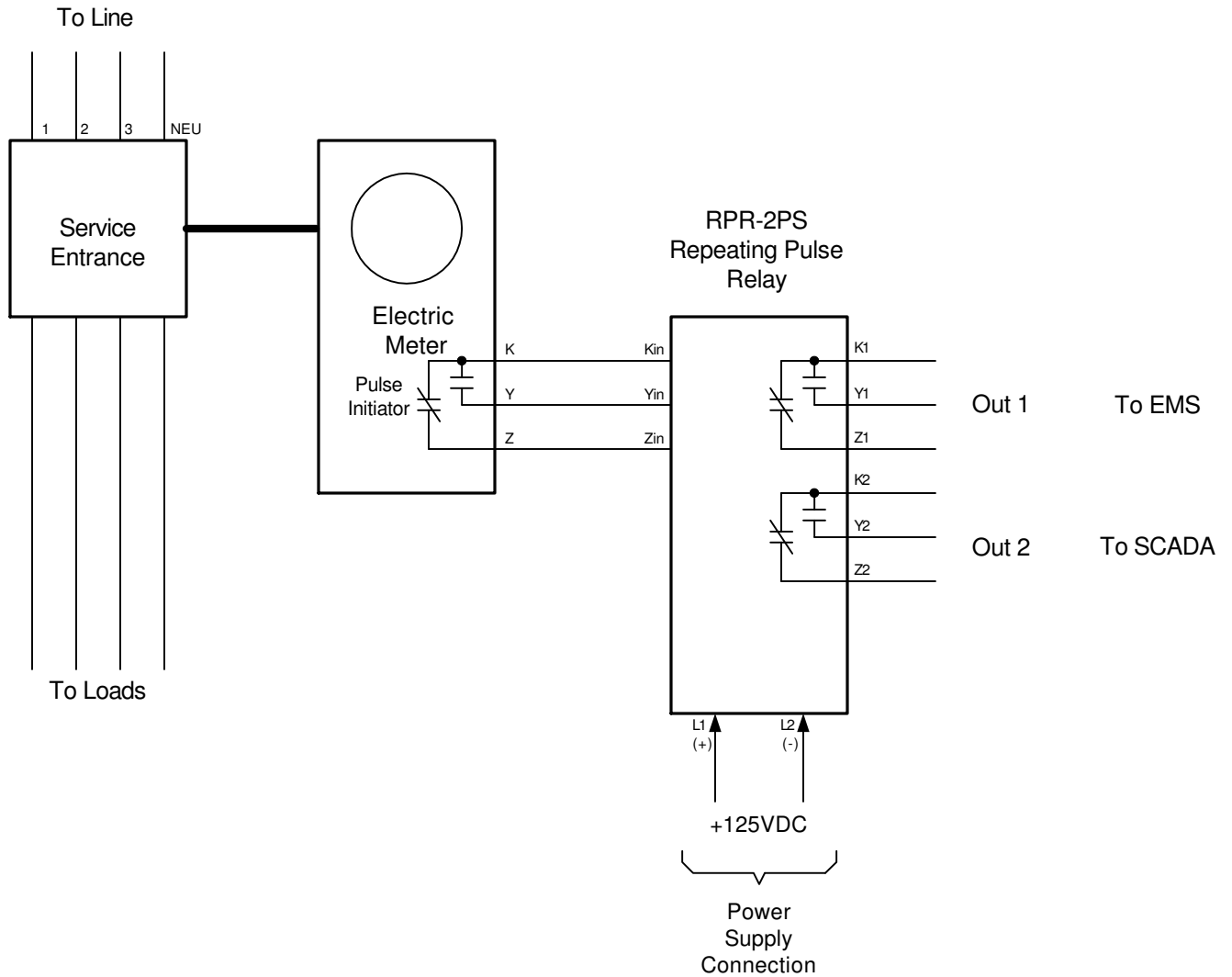
**OUTPUTS** - Two three-wire isolated outputs are provided on the RPR-2PS-SP2. Arc suppression for the contacts of each solid state relay is provided internally.



## SOLID STATE INSTRUMENTS

a division of Brayden Automation Corp.  
6230 Aviation Circle, Loveland Colorado 80538  
Phone: (970)461-9600 Fax: (970)461-9605  
E-mail:support@solidstateinstruments.com

# RPR-2PS-SP2 Wiring Diagram



RPR-2PS-SP2 Repeating Pulse Relay Wiring Diagram		REVISIONS	
		NO.	DATE
DATE ORIGINAL	SCALE		
03/20/09	N/A		
LATEST REVISION	JOB NO.	CHECKED	DRAWN
			WHB

**Brayden Automation Corp./  
Solid State Instruments div.**  
 6230 Aviation Circle  
 Loveland, CO 80538  
 (970)461-9600  
 (970)461-9205 fax  
[www.solidstateinstruments.com](http://www.solidstateinstruments.com)