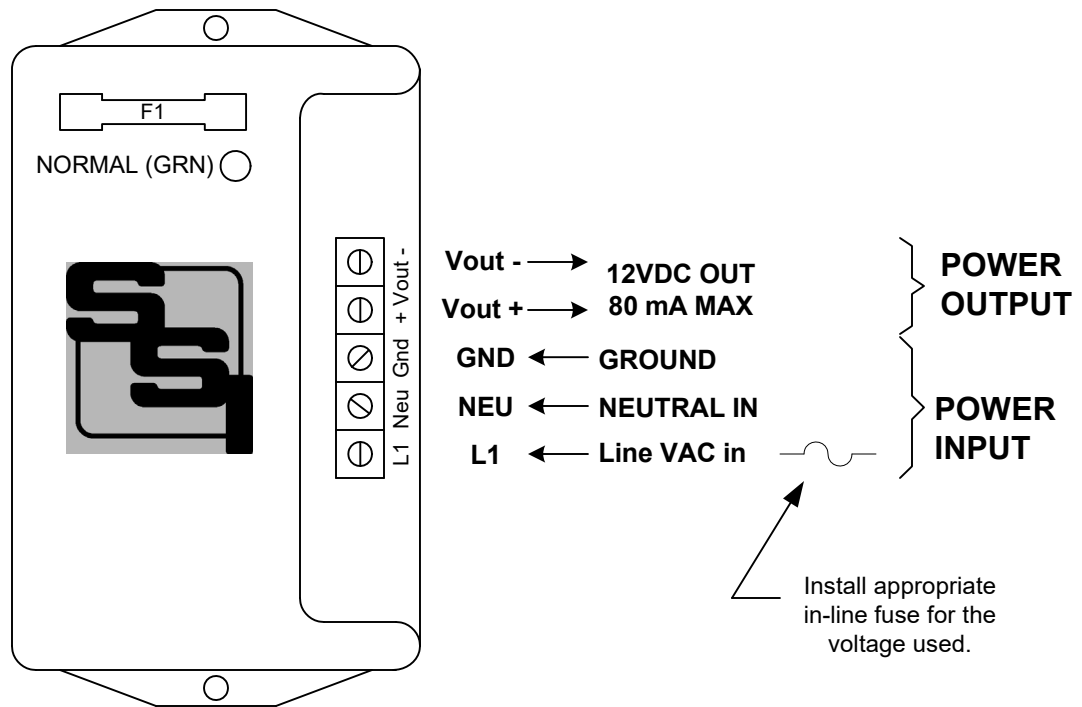


INSTRUCTION SHEET

MPS-2-12 METERING POWER SUPPLY



GENERAL - The MPS-2-12 is a power supply for KYZ Pulse Metering. It is designed to provide a "wetting" or sense voltage to the "K" terminal of a KYZ pulse initiator or an isolated dry-contact output. This sense voltage is switched on and off as the KY and KZ terminals are closed to source this voltage to another "downstream" device which does not supply its own wetting voltage.

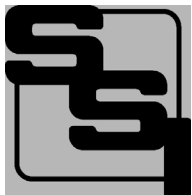
MOUNTING POSITION - The MPS-2-12 can be mounted in any position.

POWER INPUTS - Connect the L1 terminal to the "hot" line voltage source with a voltage from 90 to 300VAC. An in-line fuse is recommended. Connect the neutral line to the NEU terminal. Connect the electrical system ground to the GND terminal. If no neutral exists at the metering location, connect the neutral terminal to the GND terminal and connect both to the electrical system ground. All three terminals must be connected.

OUTPUT POWER - The output is configured for 12VDC up to approximately 80mA max.

FUSE - A type 3AG fuse is provided and may be up to 1/4 Amp in size. A 1/4 Amp fuse is supplied standard.

VOLTAGE INDICATOR - The Green (GRN) LED indicates the +12VDC is on and available at the output terminals.



SOLID STATE INSTRUMENTS

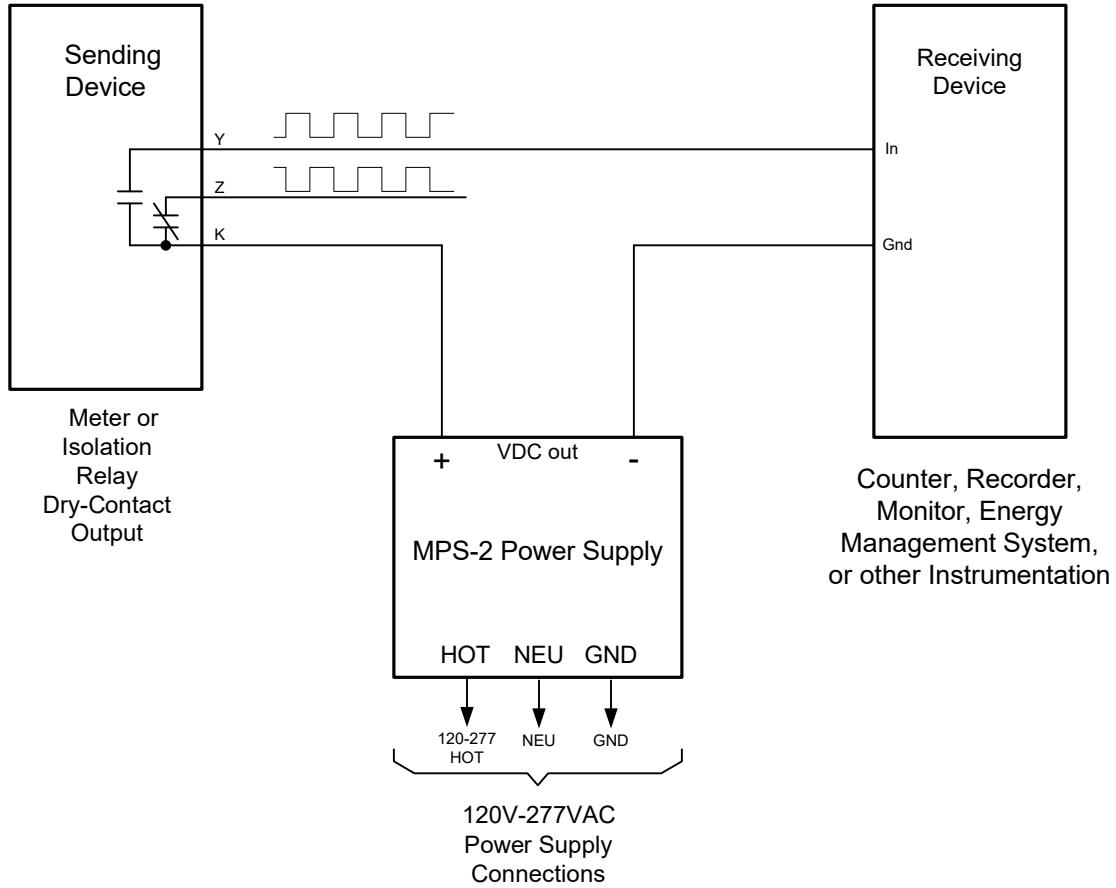
by Radian Research, Inc

3852 Fortune Dr, Lafayette, IN 47905

Phone: (765) 449-5576

Mail: technicalsupport@radianresearch.com

MPS-2 Wiring Diagram



NOTES:

- 1.) The MPS-2 provides a wetting voltage to the dry contact of the "sending" device, usually a meter's pulse output or an isolation relay's output.
- 2.) The switched output(s) are received in the input of the "receiving" device.
- 3.) The power supply ground (-) and the receiving device's ground must be tied together to have a common reference.
- 4.) Only one output (Form A, 2-Wire configuration) is shown above.

MPS-2 WiringDiagram.vsd

MPS-2 Power Supply Wiring Diagram		REVISIONS		Solid State Instruments by Radian Research Inc 3852 Fortune Dr Lafayette, IN 47905 (765) 449-5576 technicalsupport@radianresearch.com www.solidstateinstruments.com
		NO.	DATE	
DATE ORIGINAL	SCALE			
01/01/2025	N/A			
LATEST REVISION	JOB NO.	CHECKED	DRAWN	
			WHB	