

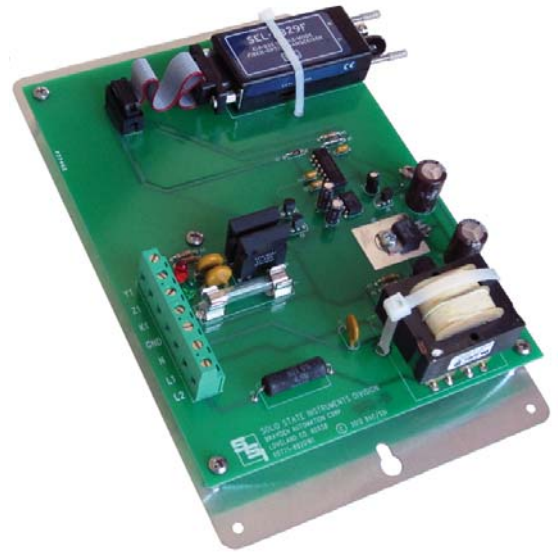


PULSE LINKS

OPR-1B OPTICAL PULSE RECEIVER

DESCRIPTION

The OPL-B Series of Optical Fiber Pulse Links are transmitter/receiver pairs that use fiber optic cable to send metering pulses over long distances. Each system consists of an OPT-1B transmitter and an OPR-1B receiver. The OPR-1B can receive pulses over distances up to approximately 3 miles, using multimode fiber or up to 15 miles using the standard single mode fiber cable. Pulses are conditioned and sent by the cable to the OPR-1B where the pulse information is validated and implemented into the correct pulse state. The output is configured as a Form C, but can be used as a Form A (2-wire) or a Form C (3-wire) depending on the transmitter's input configuration selection. An OPR-1B receiver requires an OPT-1B transmitter.

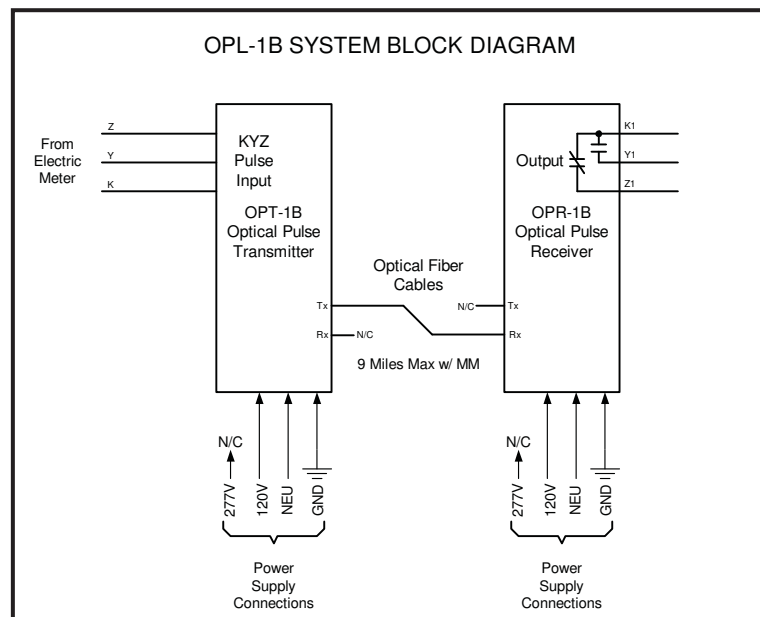


Bright red and green LEDs are included on the OPR-1B to monitor the output status. The dry contact output features a 1/4 amp solid-state relay for a no-bounce contact with internal MOV transient suppression circuitry to eliminate contact noise. Rapid pulse rates in excess of 20 pulses per second are possible.

The OPR-1B is available standard on a .062" aluminum mounting plate with keyhole slots for quick mounting. Weighing in at 2.0 pounds, the OPR-1B measures 5.50" wide, 9.50" long, and 3.50" high. The optional NEMA 4X raintight and dustproof enclosure is also available. The enclosure is 12.0" high, 10.0" wide, and 6.0" deep.

FUNCTIONAL SUMMARY		
	IN	OUT
#	1	1
TYPE	Optical Fiber	3 Wire
FORM	-	C

OPR-1B





PULSE LINKS

OPR-1B OPTICAL PULSE RECEIVER

SPECIFICATIONS

ELECTRICAL

Power Input:	120, 208-277 VAC. Burden: 5 VA
Signal Input:	Optical fiber input from OPT-1B Transmitter
Output:	Once Form C (K,Y & Z) solid state, dry contact output
Maximum Pulse Rate:	>200 Pulses per second (Form C), 100 pulses per second (Form A)
Maximum Output Voltage:	250 VAC
Maximum Output Current:	1/4 Amp
Maximum Power Rating:	25 VA
Contact On-State Resistance:	5 ohms maximum, 3 ohms typical
Switching Time:	Turn On: 5 milliseconds typical Turn Off: 3 milliseconds typical
Input/Output Isolation Voltage:	2500Vrms (of relay alone)

MECHANICAL

Mounting:	Any position. Mounted on aluminum base plate with mounting tabs and keyhole slots
Size:	5.5" wide, 9.5" high, 3.5" deep
Weight:	2 pounds

TEMPERATURE

Temperature Range:	-38° C to +70° C, -36.4° F to +158° F
Humidity:	0 to 98% non-condensing

OPTIONS

Input Voltages:	Contact Factory
Enclosure:	NEMA 4X raintight and dustproof enclosure available. 12.0" high, 10.0" wide, 6.0" deep
Fiber:	Extra Range single mode model available by special order

OPR-1B