



PULSE LINKS

OPR-1 OPTICAL PULSE RECEIVER

DESCRIPTION

The OPL-Series of Optical Fiber Pulse Links are transmitter/receiver pairs that use fiber optic cable to send metering pulses over long distances. Each system consists of an OPT-1 transmitter and an OPR-1 receiver. The OPR-1 can receive pulses over distances up to approximately 3 miles, depending on the type of fiber optic cable used. Pulses are conditioned and sent by the cable to the OPR-1 where the pulse information is validated and implemented into the correct pulse state. The output is configured as a Form C, but can be used as a Form A (2-wire) or a Form C (3-wire) depending on the transmitter's input configuration selection. An OPR-1 receiver requires an OPT-1 transmitter.



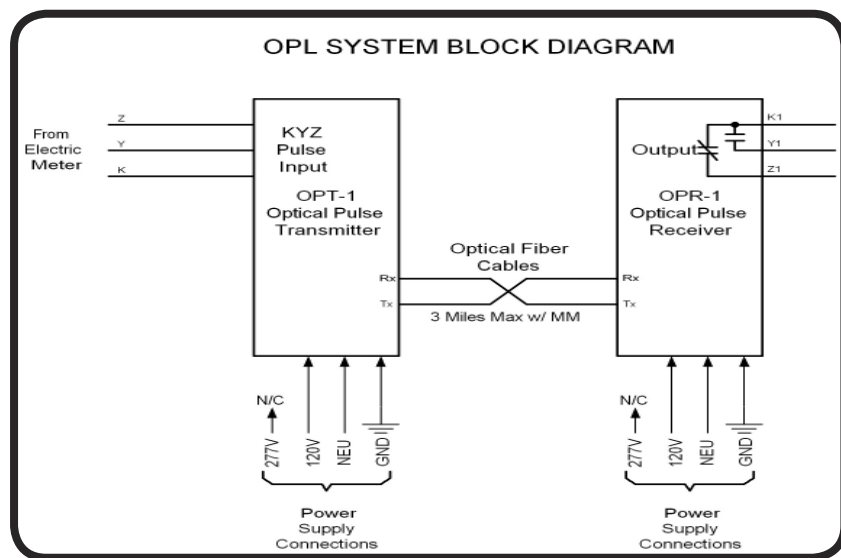
FUNCTIONAL SUMMARY

	IN	OUT
#	1	1
TYPE	Optical Fiber	3 Wire
FORM	-	C

Bright red and green LEDs are included on the OPR-1 to monitor the output status. The dry contact output features a 1/4 amp solid-state relay for a no-bounce contact with internal MOV transient suppression circuitry to eliminate contact noise. Rapid pulse rates in excess of 20 pulses per second are possible.

The OPR-1 is available standard on a .062" aluminum mounting plate with keyhole slots for quick mounting. Weighing in at 2.0 pounds, the OPR-1 measures 5.50" wide, 9.50" long, and 3.50" high. The optional NEMA 4X raintight and dustproof enclosure is also available. The enclosure is 12.0" high, 10.0" wide, and 6.0" deep.

OPR-1





PULSE LINKS

OPR-1 OPTICAL PULSE RECEIVER

SPECIFICATIONS

ELECTRICAL

Power Input:	120, 208-277 VAC. Burden: 5 VA
Signal Input:	Optical fiber inupte from OPT Transmitter
Output:	Once Form C (K,Y & Z) solid state, dry contact output
Maximum Output Voltage:	250 VAC
Maximum Output Current:	1/4 Amp
Maximum Power Rating:	25 VA
Contact On-State Resistance:	5 ohms maximum, 3 ohms typical
Switching Time:	Turn On: 5 milliseconds typical Turn Off: 3 milliseconds typical
Input/Output Isolation Voltage:	2500Vrms (of relay alone)

MECHANICAL

Mounting:	Any position. Mounted on aluminum base plate with mounting tabs and keyhole slots
Size:	5.5" wide, 9.5" high, 3.5" deep
Weight:	2 pounds

TEMPERATURE

Temperature Range:	-38° C to +70° C, -36.4° F to +158° F
Humidity:	0 to 98% non-condensing

OPTIONS

Input Voltages:	Contact Factory
Enclosure:	NEMA 4X raintight and dustproof enclosure available. 12.0" high, 10.0" wide, 6.0" deep
Fiber:	Single mode model available by special order

OPR-1