

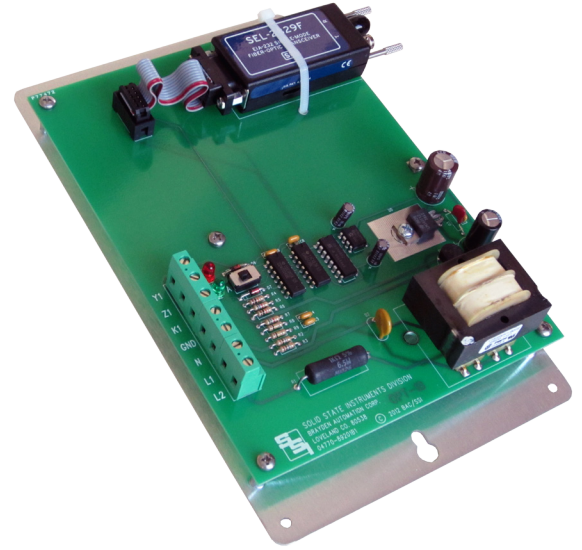


## PULSE LINKS

# OPT-1B OPTICAL PULSE TRANSMITTER

## DESCRIPTION

The OPL B-Series of Optical Fiber Pulse Links are transmitter/receiver pairs that use fiber optic cable to send metering pulses over long distances. Each system consists of an OPT-1B transmitter and an OPR-1B receiver. This system makes it possible to quickly implement an optical pulse link with minimal effort and includes all power supplies, wetting voltages, isolation relays and connectors. The system does not include the fiber optic cable.



The OPT-1B transmitter is designed to receive pulses from an electric meter's KYZ pulse initiator. Pulses are conditioned and sent by the cable to an OPR-1B receiver where the pulse information is validated and implemented into the correct pulse state. An OPT-1B transmitter requires an OPR-1B receiver.

Bright red and green LEDs monitor the input status on the OPT-1B transmitter and provide easy and immediate visual system checking without test equipment. A selector switch allows selection of Form A (2-wire) or Form C (3-wire) input configuration.

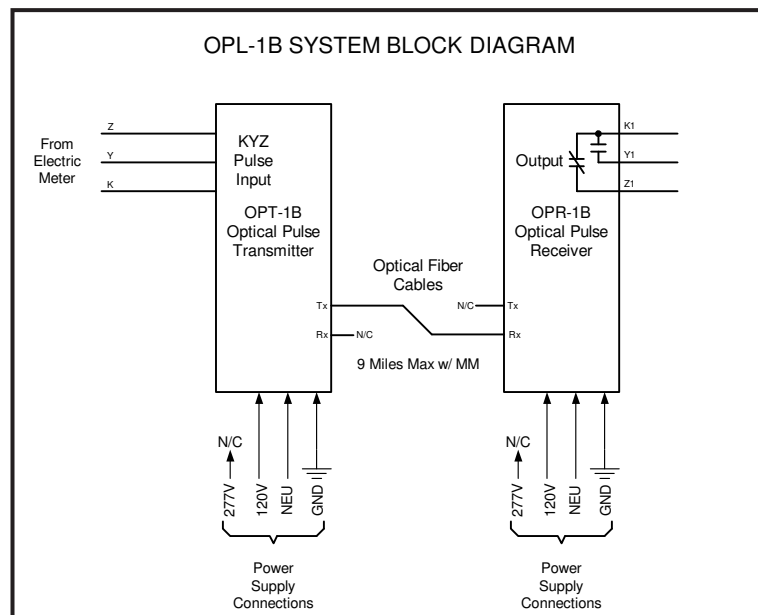
The OPT-1B comes standard mounted on a .062" aluminum base plate with mounting tabs and keyhole mounting slot. The unit weighs 2.0 pounds and can be mounted in any position. It is also available in a NEMA 4X raintight enclosure.

# OPT-1B

### FUNCTIONAL SUMMARY

	IN	OUT
#	1	1
TYPE	2 or 3 Wire	Optical Fiber
FORM	A or C	-

OPL-1B SYSTEM BLOCK DIAGRAM





## PULSE LINKS

# OPT-1B OPTICAL PULSE TRANSMITTER

---

## SPECIFICATIONS

### ELECTRICAL

Power Input:	120, 208-277 VAC. Burden: 5 VA
Signal Input:	One Form C (K,Y, & Z) input from the sending device
Output:	Optical Fiber Output to OPR-1B Receiver
Maximum Pulse Rate:	>200 Pulses per second (Form C), 100 pulses per second (Form A)
Sense Voltage:	+13VDC provided to the sending device(s)
Transmission Distance:	Approximately 3 miles with multimode fiber. Approximately 15 miles using single mode fiber. Greater distances with higher performance media converter by special order.

### MECHANICAL

Mounting:	Any position. Mounted on aluminum base plate with mounting tabs and keyhole mounting slots.
Size:	5.5" wide, 9.5" high, 3.5" deep
Weight:	2 pounds

### TEMPERATURE

Temperature Range:	-38° C to +70° C, -36.4° F to +158° F
Humidity:	0 to 98% non-condensing

### OPTIONS

Input Voltages:	Contact Factory
Enclosure:	NEMA 4X raintight and dustproof enclosure available. 12.0" high, 10.0" wide, 6.0" deep
Fiber:	Single mode model available by special order

# OPT-1B