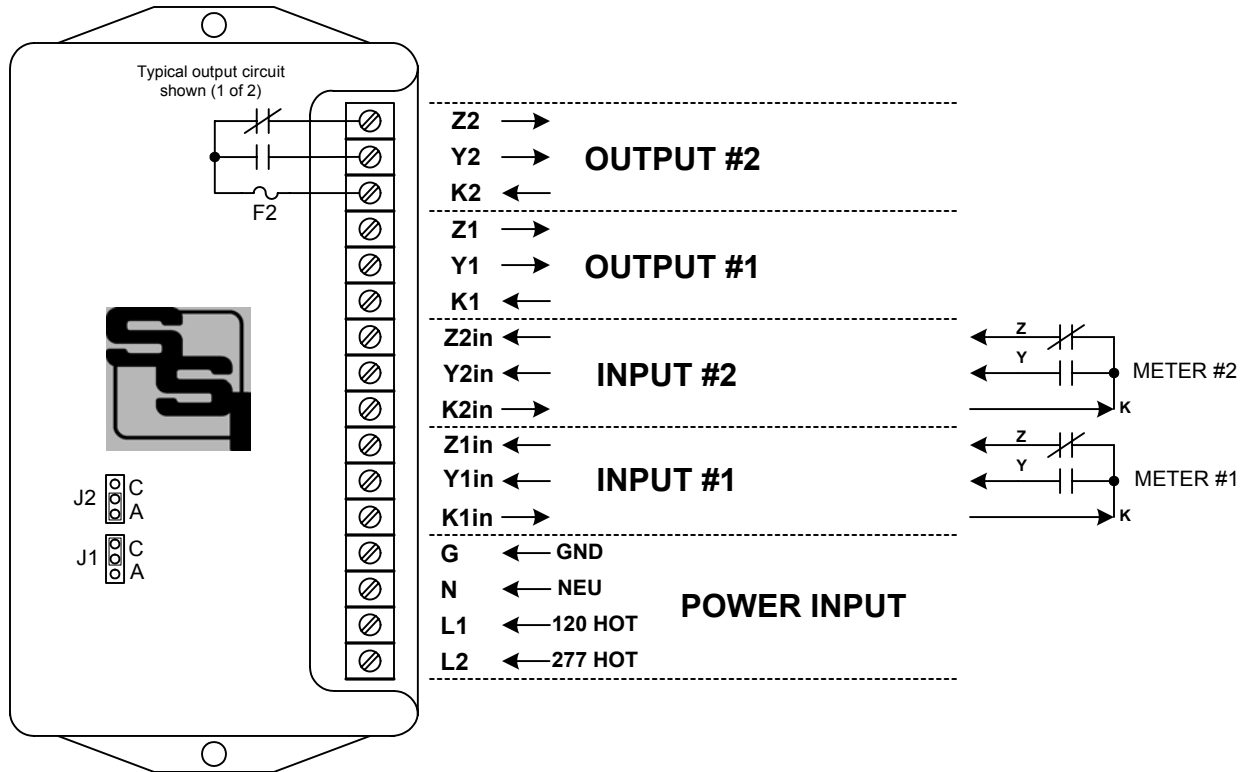


RPR-22PS

Elite Solid State

PULSE ISOLATION RELAY INSTRUCTION SHEET



MOUNTING POSITION - The RPR-22PS may be mounted in any position.

POWER INPUT - For a power supply of 120VAC, connect the AC line's "hot" wire to the **L1** terminal. For 208 thru 277VAC, connect the AC line's "hot" wire to the **L2** terminal. The AC line's "neutral" wire should be connected to the **N** terminal. Connect the **G** terminal to the electrical system ground.

INPUT CONNECTIONS - Connect the K terminal of each meter which is supplying pulses to the RPR-22PS to the RPR-22PS' **K1in** and **K2in** terminals. Connect each meter's Y and Z terminals to the respective meter's **Yin** and **Zin** input terminals of the RPR-22PS.

INPUT TYPE SELECTION - The RPR-22PS' inputs may be configured as either 2-Wire (Form A) or 3-Wire (Form C). Selector Jumper J1 selects the configuration for INPUT #1. Selector Jumper J2 sets the configuration for INPUT #2. Place the Jumper Plug in the correct position for the input type desired: Bottom-to-middle pin for Form A (2-Wire), or middle-to-top pin for Form C (3-Wire).

FUSES - The fuses are type 3AG and may be up to 1/2 Amp in size. Two 1/2 Amp fuses (F1 & F2) are supplied standard with the unit unless otherwise specified.

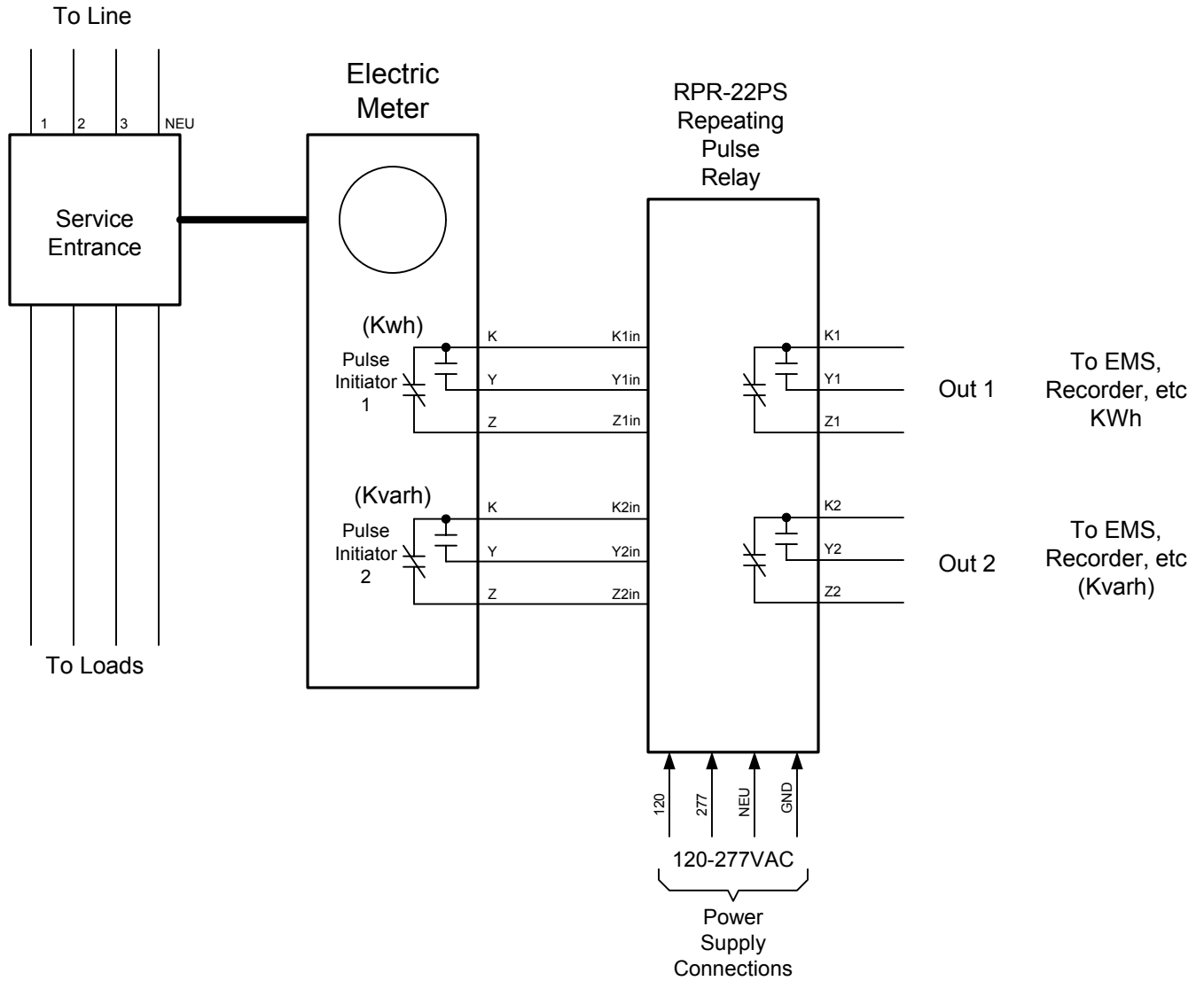
OUTPUTS - Two 3-wire isolated outputs are provided on the RPR-22PS, with output terminals K1, Y1 & Z1 and K2, Y2, & Z2. Arc suppression for the contacts of the solid-state relays is provided internally. Each relay channel's input and output are independent and isolated from the other. Inputs may be paralleled if a "splitting" or duplicating relay function is desired.



SOLID STATE INSTRUMENTS

a division of Brayden Automation Corp.
6230 Aviation Circle, Loveland Colorado 80538
Phone: (970)461-9600 Fax: (970)461-9605
E-mail: support@solidstateinstruments.com

RPR-22PS Wiring Diagram



RPR-22PS Repeating Pulse Relay Wiring Diagram		REVISIONS		
		NO.	DATE	DESCRIPTION
DATE ORIGINAL	SCALE			
10/01/08	N/A			
LATEST REVISION	JOB NO.	CHECKED	DRAWN	
			WHB	

**Brayden Automation Corp./
Solid State Instruments div.**
6230 Aviation Circle
Loveland, CO 80538
(970)461-9600
(970)461-9205 fax
www.solidstateinstruments.com