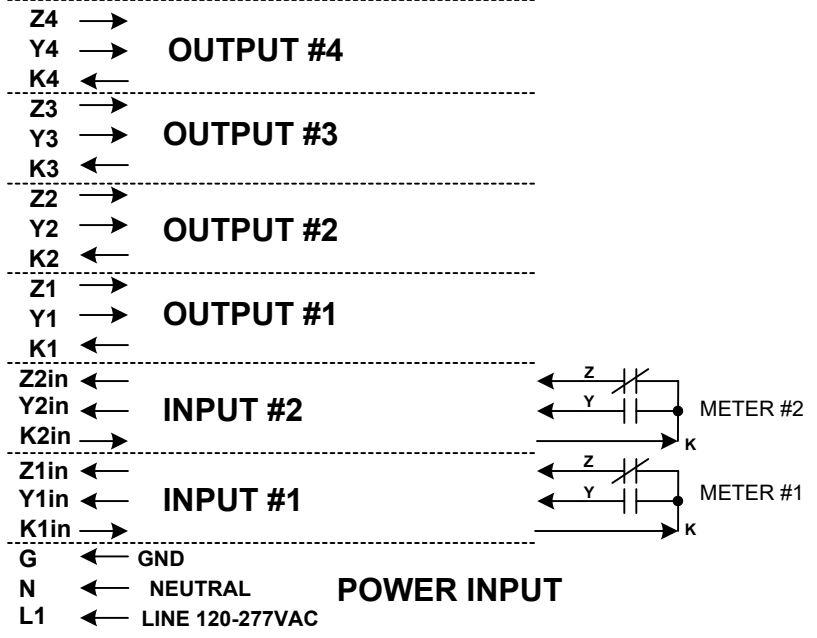
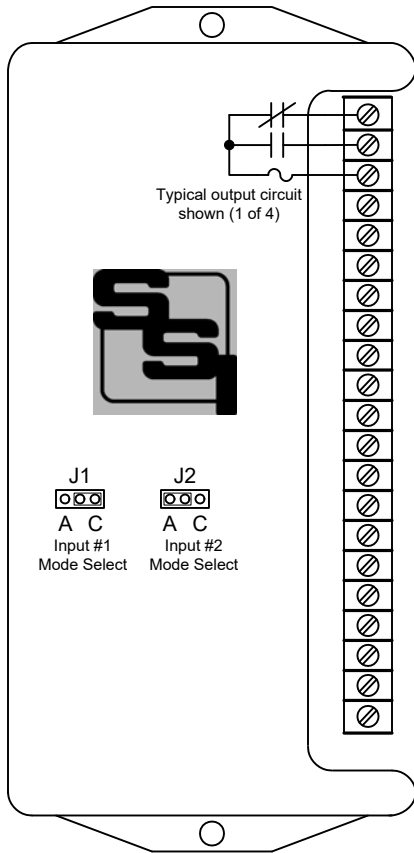


# PULSE ISOLATION RELAY INSTRUCTION SHEET



**MOUNTING POSITION** - The RPR-24PS may be mounted in any position.

**POWER INPUT** - For 120 thru 277VAC, connect the AC source's Line or "hot" wire to the **L** terminal. Connect the neutral wire to the **N** terminal. Connect the **G** terminal to the electrical system ground. The power supply must be wired phase-to-neutral, not phase-to-phase. Ground **MUST** be connected.

**INPUT CONNECTIONS** - Connect the K terminal of each meter which is supplying pulses to the RPR-24PS' **K1in** and **K2in** terminals. Connect each meter's Y and Z terminals to the respective meter's **Yin** and **Zin** input terminals of the RPR-24PS.

**INPUT TYPE SELECTION** - The RPR-24PS' inputs may be configured as either 2-Wire (Form A) or 3-Wire (Form C). Selector Jumper J1 selects the configuration for INPUT #1. Selector Jumper J2 sets the configuration for INPUT #2. Place the Jumper Plug in the correct position for the input type desired: Left-to-middle pin for Form A (2-Wire), or middle-to-right pin for Form C (3-Wire).

**FUSES** - The fuses are type 3AG and may be up to 1/4 Amp in size. Four 1/4 Amp fuses (F1-F4) are supplied standard with the unit unless otherwise specified.

**OUTPUTS** - Four three-wire isolated outputs are provided on the RPR-24PS, with output terminals K1, Y1 & Z1; K2, Y2, & Z2; K3, Y3 & Z3; and K4, Y4 & Z4. Arc suppression for the contacts of the solid-state relays are provided internally. Outputs 1 and 2 are tied to Input #1. Outputs 3 and 4 are tied to Input #2



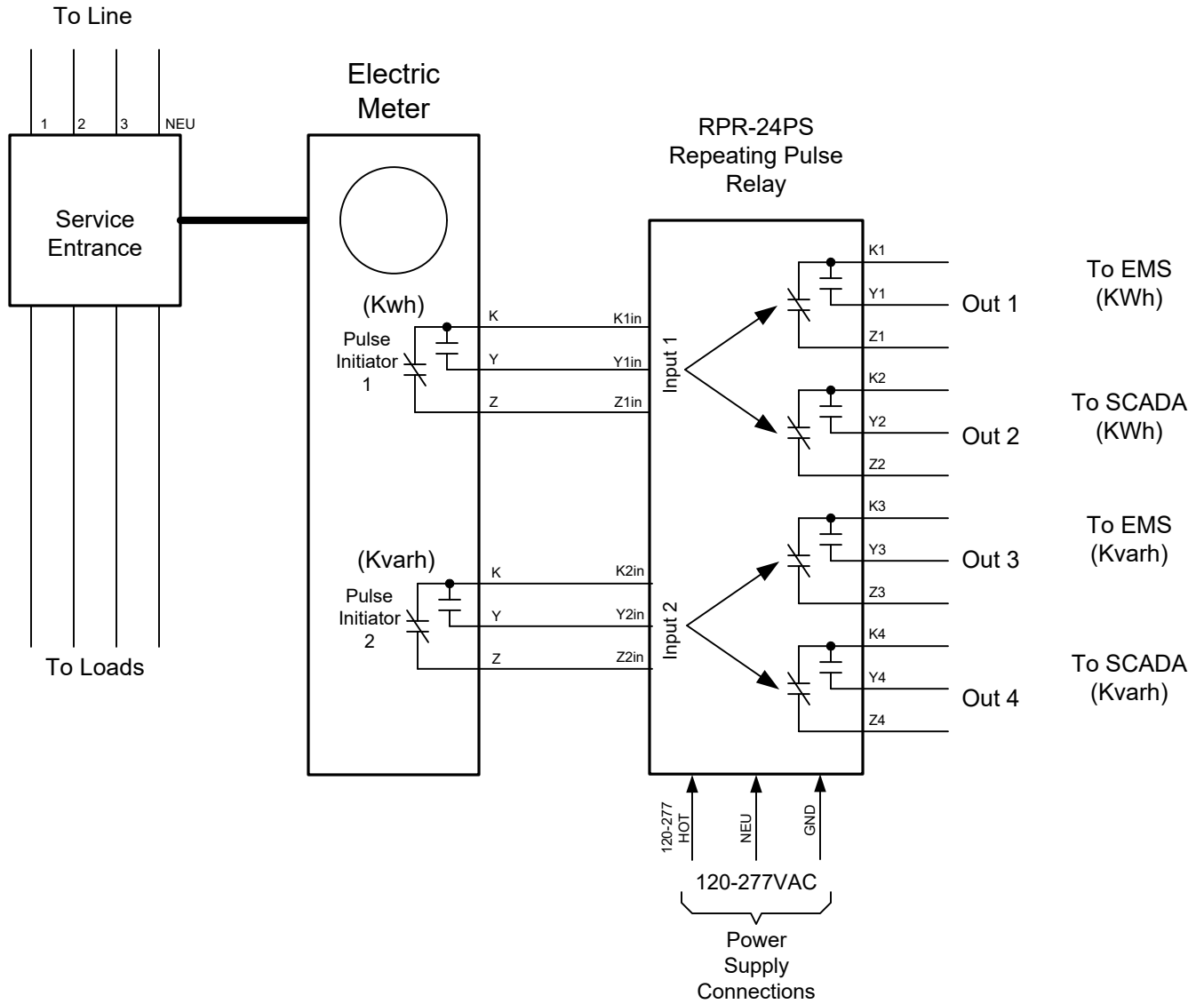
## SOLID STATE INSTRUMENTS

a division of Brayden Automation Corp.  
6230 Aviation Circle, Loveland Colorado 80538

Phone: (970)461-9600

E-mail: support@brayden.com

# RPR-24PS Wiring Diagram



|   |         |           |       |
|---|---------|-----------|-------|
| RPR-24PS Repeating Pulse Relay Wiring Diagram |         | REVISIONS |       |
|   |         | NO.       | DATE  |
| DATE ORIGINAL                                 | SCALE   |           |       |
| 7/1/2024                                      | N/A     |           |       |
| LATEST REVISION                               | JOB NO. | CHECKED   | DRAWN |
|   |         |           | WHB   |

**Brayden Automation Corp./ Solid State Instruments div.**  
 6230 Aviation Circle  
 Loveland, CO 80538  
 (970)461-9600  
 support@brayden.com  
 www.solidstateinstruments.com