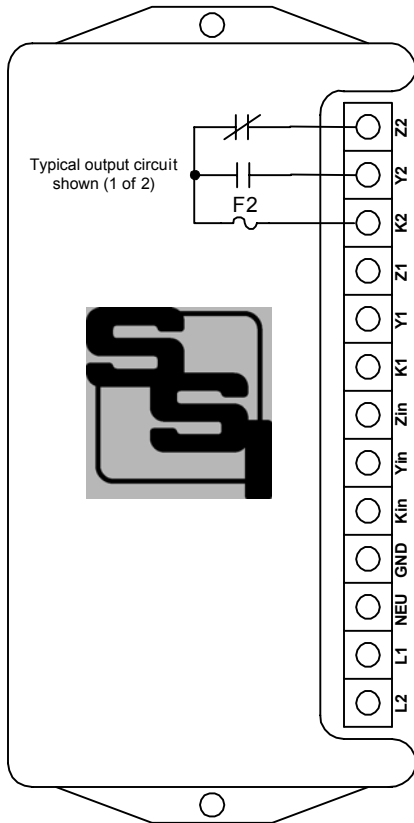


# RPR-2PS

B Series

*Elite Solid State*

## PULSE ISOLATION RELAY INSTRUCTION SHEET



Z2 →

Y2 → **OUTPUT #2**

K2 ←

Z1 →

Y1 → **OUTPUT #1**

K1 ←

Zin →

Yin → **INPUT FROM METER**  
+13VDC sourced to meter

Kin ←

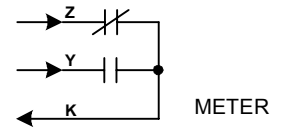
GND ← GND

NEU ← NEUTRAL

**POWER SUPPLY  
INPUT**

L1 ← 120V HOT

L2 ← 277V HOT



**MOUNTING POSITION** - The RPR-2PS B-Series can be mounted in any position.

**POWER INPUT** - The RPR-2PS can be powered by an AC voltage of between 90 and 300 volts. For **120VAC power**, connect the "hot" lead to the L1 terminal. Connect the neutral lead to the NEU terminal. Connect the GND terminal to electrical system ground. Leave the L2 terminal unconnected. **For 277VAC**, connect the "hot" lead to the L2 terminal. Connect the neutral lead to the NEU terminal. Connect the GND terminal to electrical system ground. Leave the L1 terminal unconnected.

**METER CONNECTIONS** - The RPR-2PS' "Kin", "Yin" and "Zin" input terminals should be connected to the meter's "K", "Y" and "Z" terminals: "Kin" to "K", "Yin" to "Y", and "Zin" to "Z". The RPR-2PS' "Kin" terminal is the common return and system ground. The "Yin" and "Zin" terminals are pulled-up to +13VDC, which provides the wetting voltage to the pulse initiator.

**FUSES** - The fuses are type 3AG and may be up to 1/2 Amp in size. 1/2 Amp fuses are supplied standard with the unit unless otherwise specified.

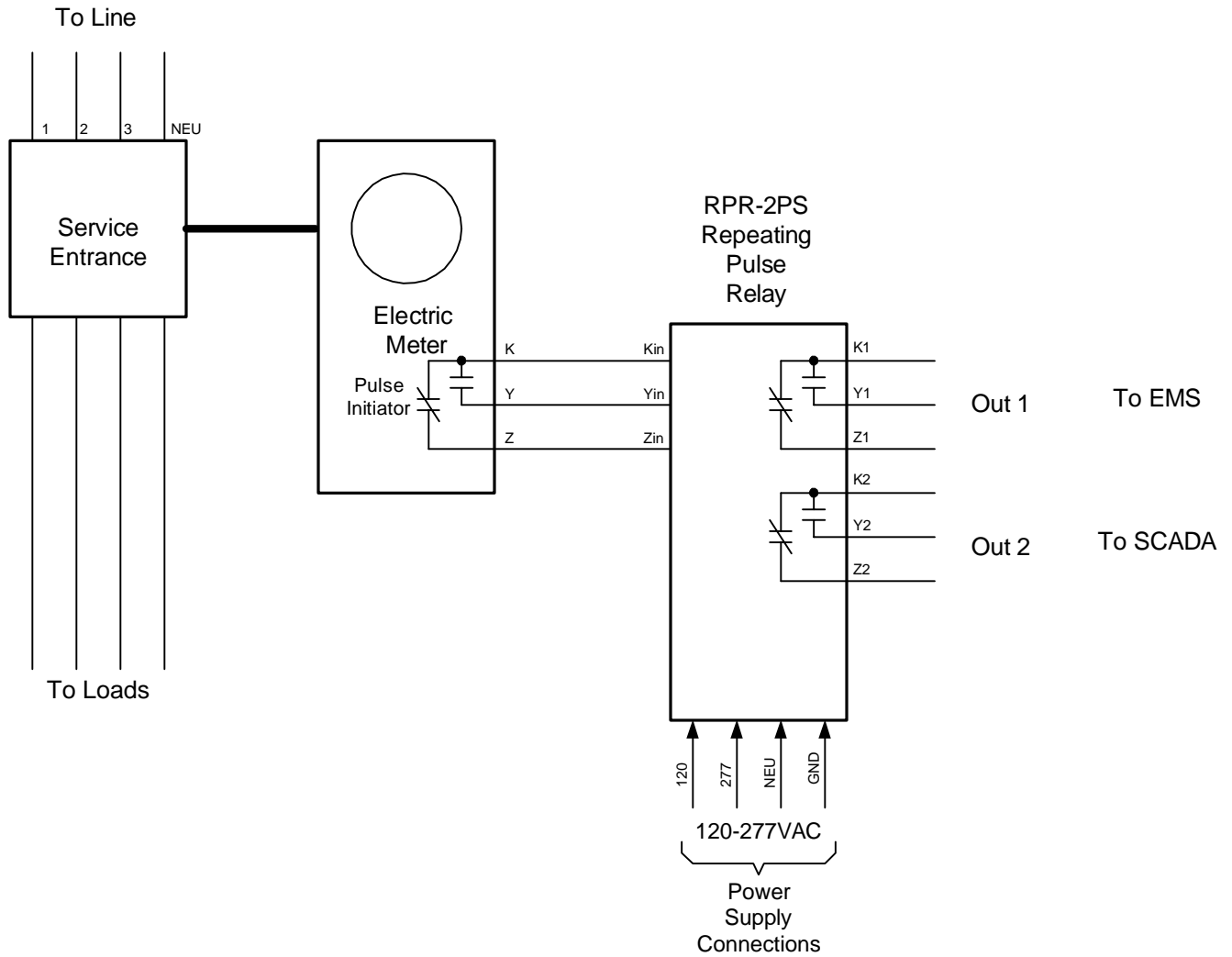
**OUTPUTS** - Two solid state three-wire isolated outputs are provided on the RPR-2PS. Transient voltage suppression for the solid state switching devices is provided internally.



## SOLID STATE INSTRUMENTS

a division of Brayden Automation Corp.  
6230 Aviation Circle, Loveland Colorado 80538  
Phone: (970)461-9600 Fax: (970)461-9605  
E-mail: support@solidstateinstruments.com

# RPR-2PS B-Series Wiring Diagram



RPR-2PS B-Series Repeating Pulse Relay Wiring Diagram		REVISIONS	
		NO.	DATE
DATE ORIGINAL	SCALE		
05/14/2013	N/A		
LATEST REVISION	JOB NO.	CHECKED	DRAWN
			WHB

**Brayden Automation Corp./ Solid State Instruments div.**  
 6230 Aviation Circle  
 Loveland, CO 80538  
 (970)461-9600  
 (970)461-9205 fax  
[www.solidstateinstruments.com](http://www.solidstateinstruments.com)