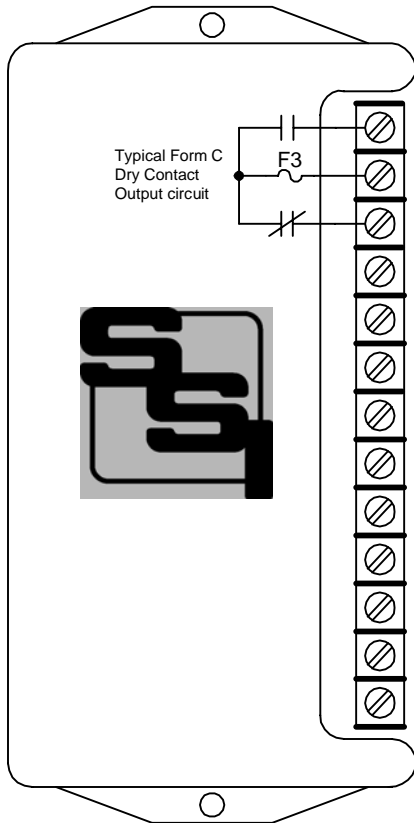


# RPR-3LD

Elite Solid State

# PULSE ISOLATION RELAY INSTRUCTION SHEET

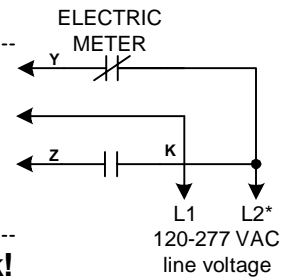


Y3 →  
K3 ← **OUTPUT #3**  
Z3 →

Y2 →  
K2 ← **OUTPUT #2**  
Z2 →

Y1 →  
K1 ← **OUTPUT #1**  
Z1 →

Yin →  
Kin ← **INPUT**  
Zin →  
GND ←



**CAUTION - Risk of electric shock!**  
All circuitry on the input side of the RPR-3LD is at line voltage potential.

\*Must be neutral, if used

**MOUNTING POSITION** - The RPR-3LD can be mounted in any position.

**INPUT** - The RPR-3LD is powered by an AC line voltage of between 90 and 300 volts. Connect the "hot" L1 voltage of the AC line to the RPR-3LD's (relay) **Kin** terminal. Connect the L2 voltage of the AC line to the K terminal on the pulse initiator of the meter. If Neutral is used, it must be connected to the meter's K terminal. The RPR-3LD will not operate without all three wires between it, the power supply and the meter as shown on Page 2. Connect the RPR-3LD's **GND** terminal to the electrical system ground. The RPR-3LD's power supply is auto-ranging and does not require any configuration for any voltage in the operating range. No other power supply is required to use the RPR-3LD relay. The meter's KYZ pulse initiator must be rated for the line voltage used.

**FUSES** - The fuses are type 3AG and may be up to 1/2 Amp in size. Three 1/2 Amp fuses (F1, F2 & F3) are supplied standard with the unit unless otherwise specified. One 1/2 Amp fuse (F4) is located in the Kin input line to protect the RPR-3LD relay in the event of a short circuit in the input circuit.

**OUTPUTS** - Three 3-wire isolated outputs are provided on the RPR-3LD, with output terminals K1, Y1 & Z1; K2, Y2, & Z2; and K3, Y3, & Z3. Typical output circuit shown above. Arc suppression for the contacts of the solid-state relays is provided internally.



## SOLID STATE INSTRUMENTS

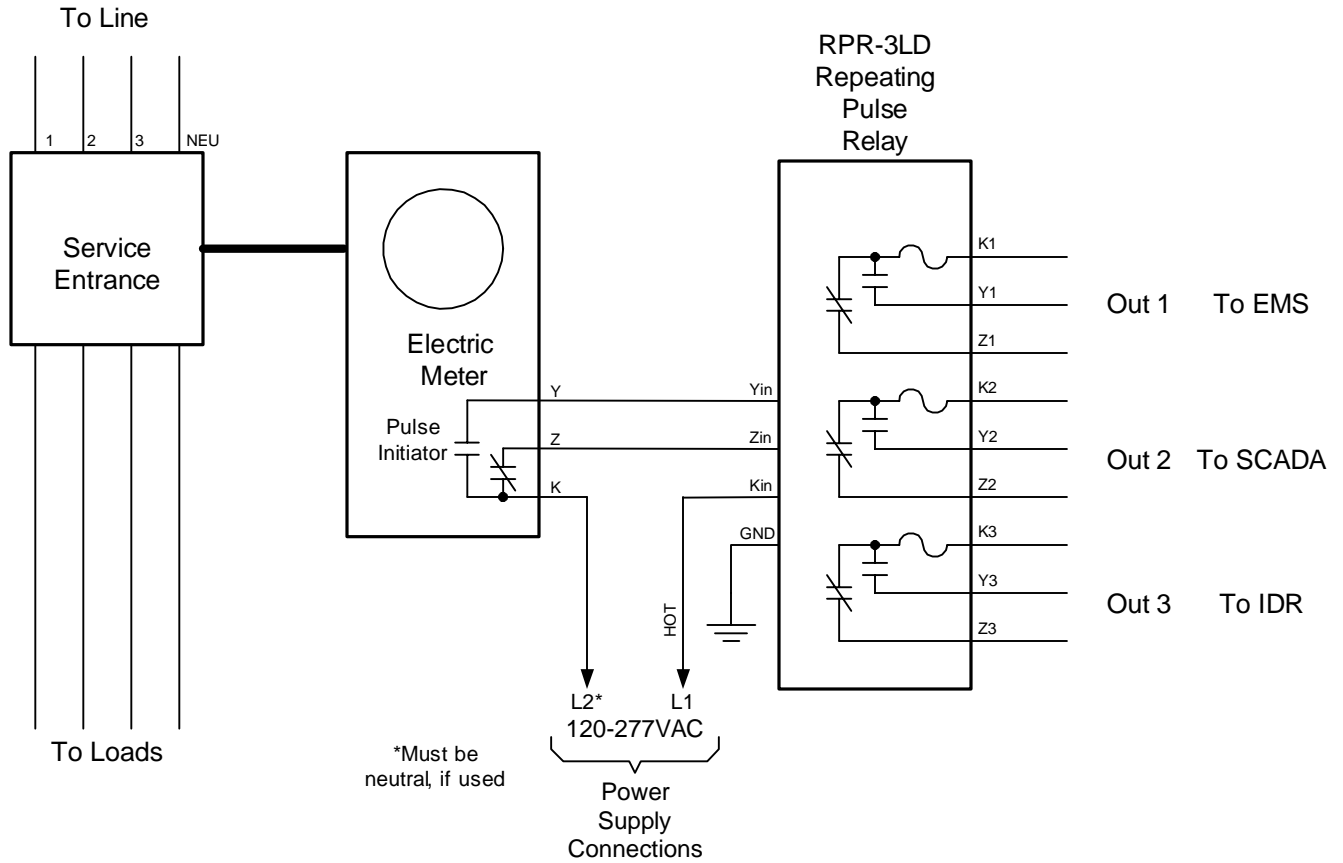
a division of Brayden Automation Corp.

6230 Aviation Circle, Loveland, Colorado 80538

Phone: (970)461-9600 Fax: (970)461-9605

E-mail: support@solidstateinstruments.com

# RPR-3LD Wiring Diagram



## RPR-3LD Repeating Pulse Relay Wiring Diagram

### REVISIONS

NO.	DATE	DESCRIPTION

DATE ORIGINAL  
8/8/2010

SCALE  
N/A

LATEST REVISION

JOB NO.

CHECKED

DRAWN

WHB

**Brayden Automation Corp./  
Solid State Instruments div.**

6230 Aviation Circle  
Loveland, CO 80538

(970)461-9600

(970)461-9205 fax

www.solidstateinstruments.com