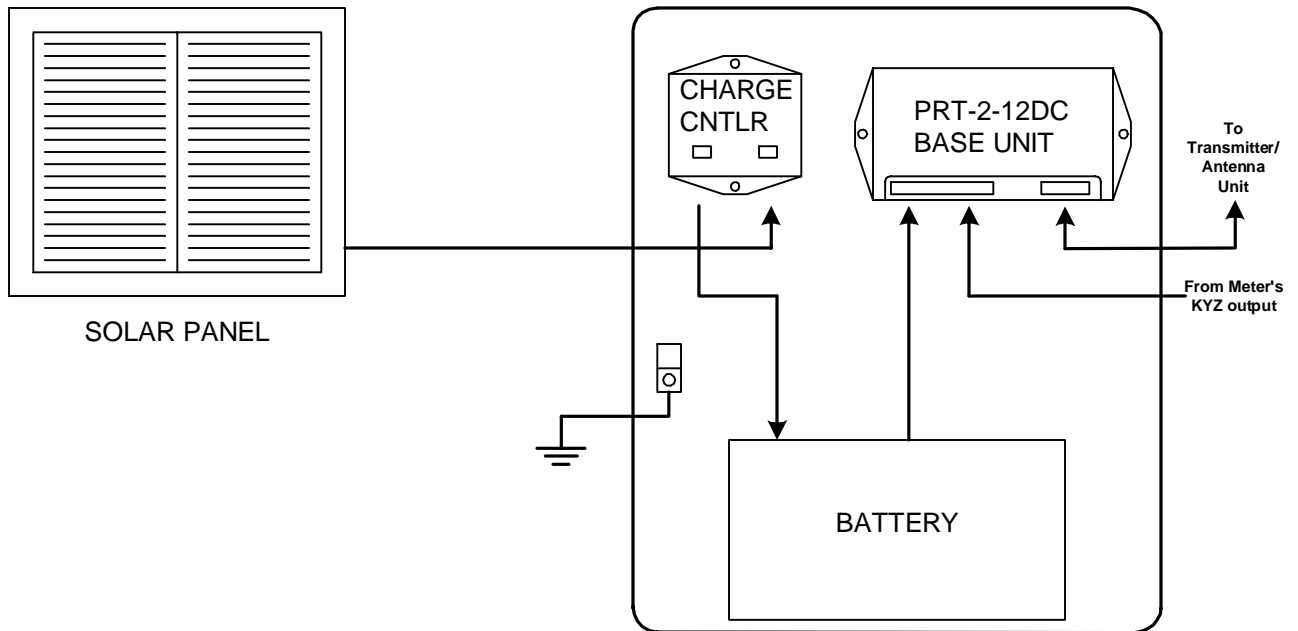


SPS-1

SOLAR POWER SUPPLY INSTRUCTION SHEET



MOUNTING POSITION - The SPS-1 Enclosure may be mounted in any position. Mount the solar panel using the metal mounting bracket provided to get the correct mounting angle.

POWER INPUT - Connect the Solar Panel's positive lead to the "+" input of the charge controller. Connect the solar panel's negative lead to the "-" input terminal of the charge controller. Connect the Grounding lug on the mounting plate to the electrical system ground (Earth Ground).

METER CONNECTIONS - Connect the meter's K, Y and Z output terminals to the PRT-2-12DC's Kin, Yin and Zin input terminals. See the PRL-900 Instruction Manual for detailed information.



SOLID STATE INSTRUMENTS

a division of Brayden Automation Corp.
6230 Aviation Circle, Loveland, Colorado 80538
Phone: (970)461-9600 Fax: (970)461-9605
E-mail: support@solidstateinstruments.com