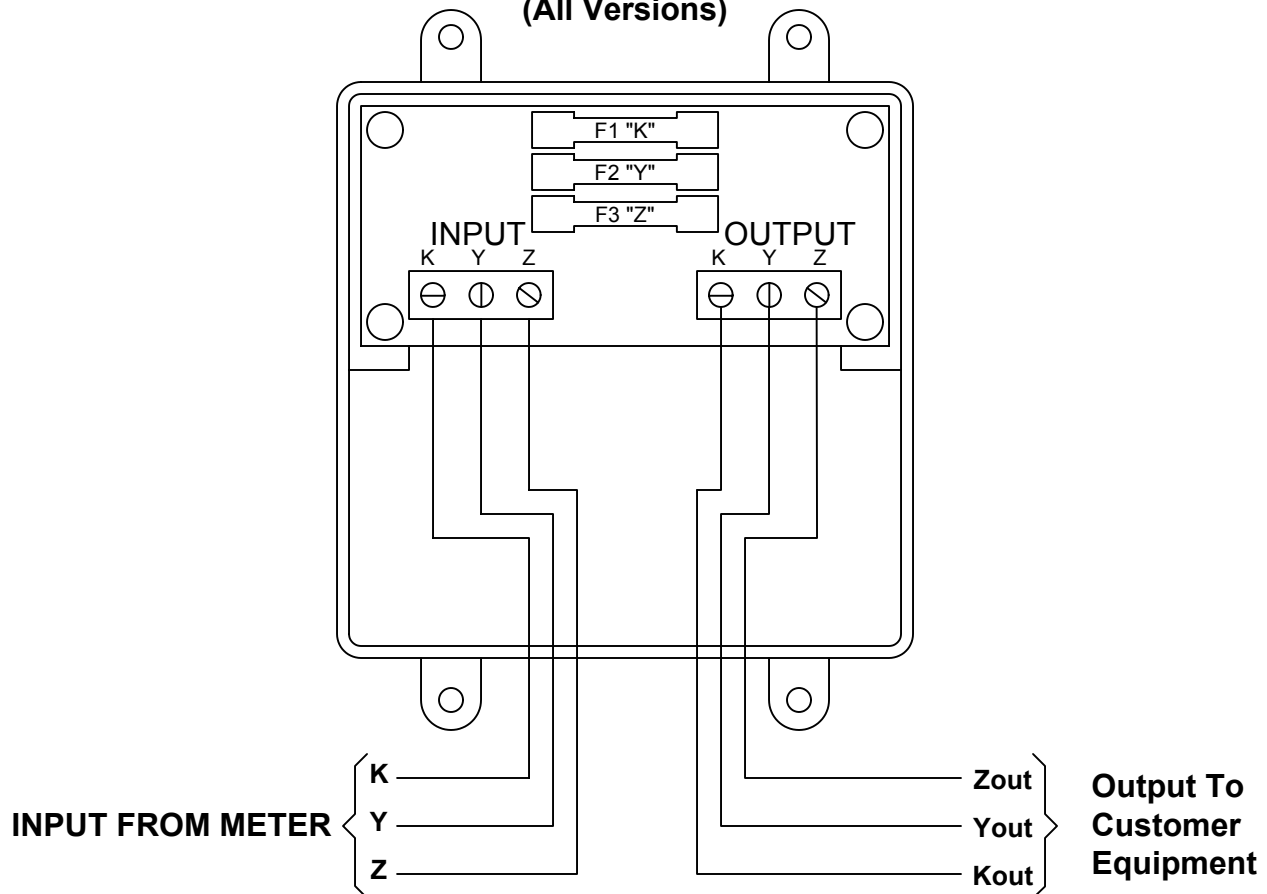


# INSTRUCTION SHEET

## CID-1 CUSTOMER INTERFACE DEVICE

(All Versions)



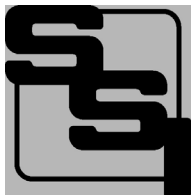
**MOUNTING POSITION** - The CID-1 can be mounted in any position.

**POWER INPUT** - None. The CID-1 is a wire termination device with fuses between the inputs and outputs and arc suppression across the contacts. Power is supplied to and from (through) the device by an external source.

**METER CONNECTIONS** - The CID-1's "K", "Y" and "Z" input terminals should be connected to the meter's "K", "Y" and "Z" terminals: "K" to "K", "Y" to "Y", and "Z" to "Z".

**FUSES** - The fuses are type 3AG and may be up to 2 Amps in size. Three 1/2 Amp fuses are supplied standard with the unit.

**OUTPUT** - The output is configured as a 3-wire output, however K&Y or K&Z may be used in the 2-wire mode depending on the wiring of the CID-1 from the meter. Arc suppression is provided internally by a RC "snubber" network. While the snubber network may help limit arcing on the contacts of the KYZ switch, it is not intended to provide isolation between the meter and customer's equipment such as that provided by an isolation relay.



## SOLID STATE INSTRUMENTS

a division of Brayden Automation Corp.

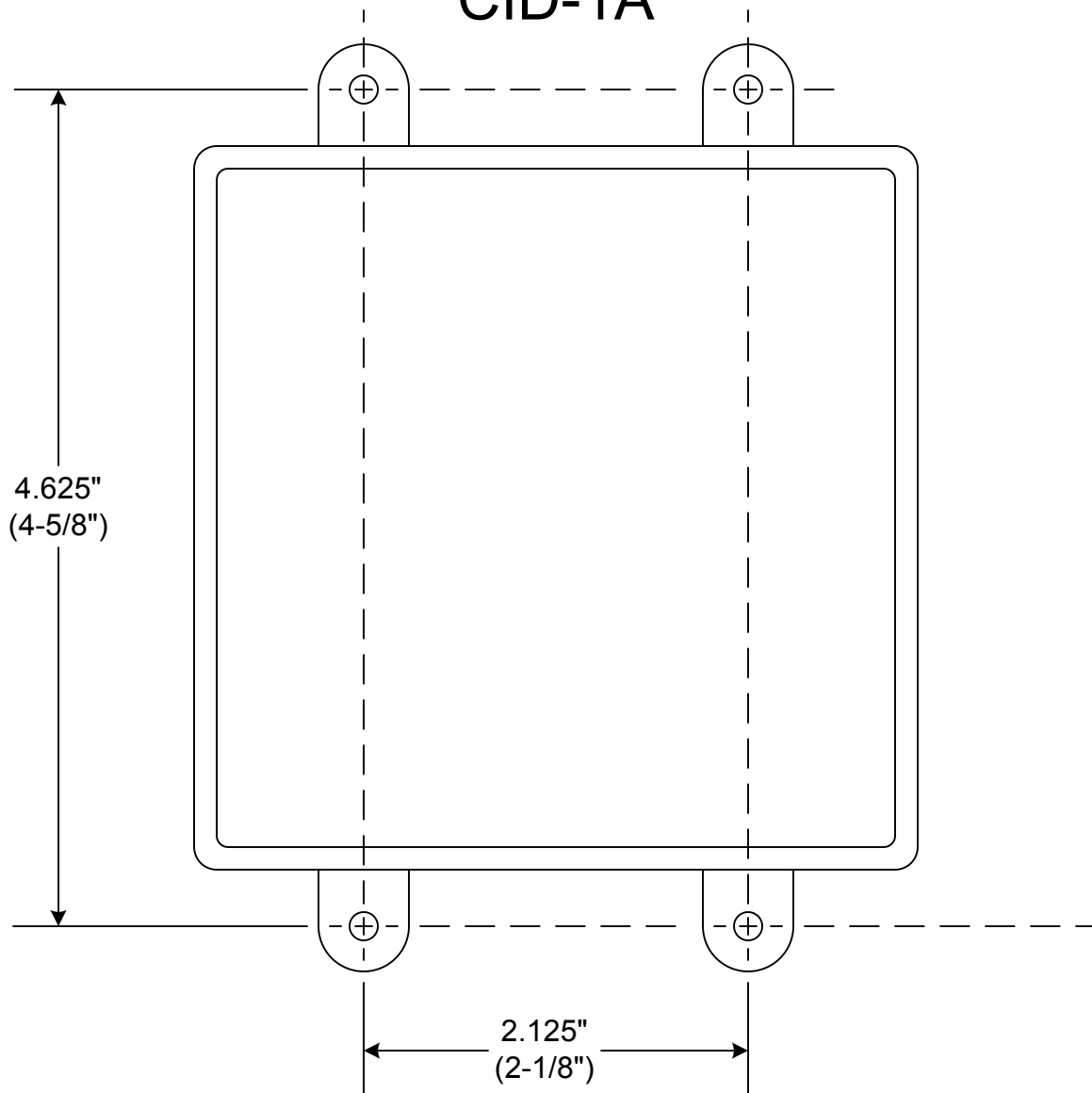
6230 Aviation Circle, Loveland, Colorado 80538

Phone: (970)461-9600 Fax: (970)461-9605

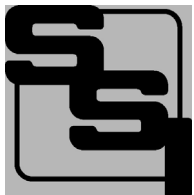
E-mail: [support@solidstateinstruments.com](mailto:support@solidstateinstruments.com)

# MECHANICAL DETAILS

## CID-1A



Enclosure has no pre-drilled holes.

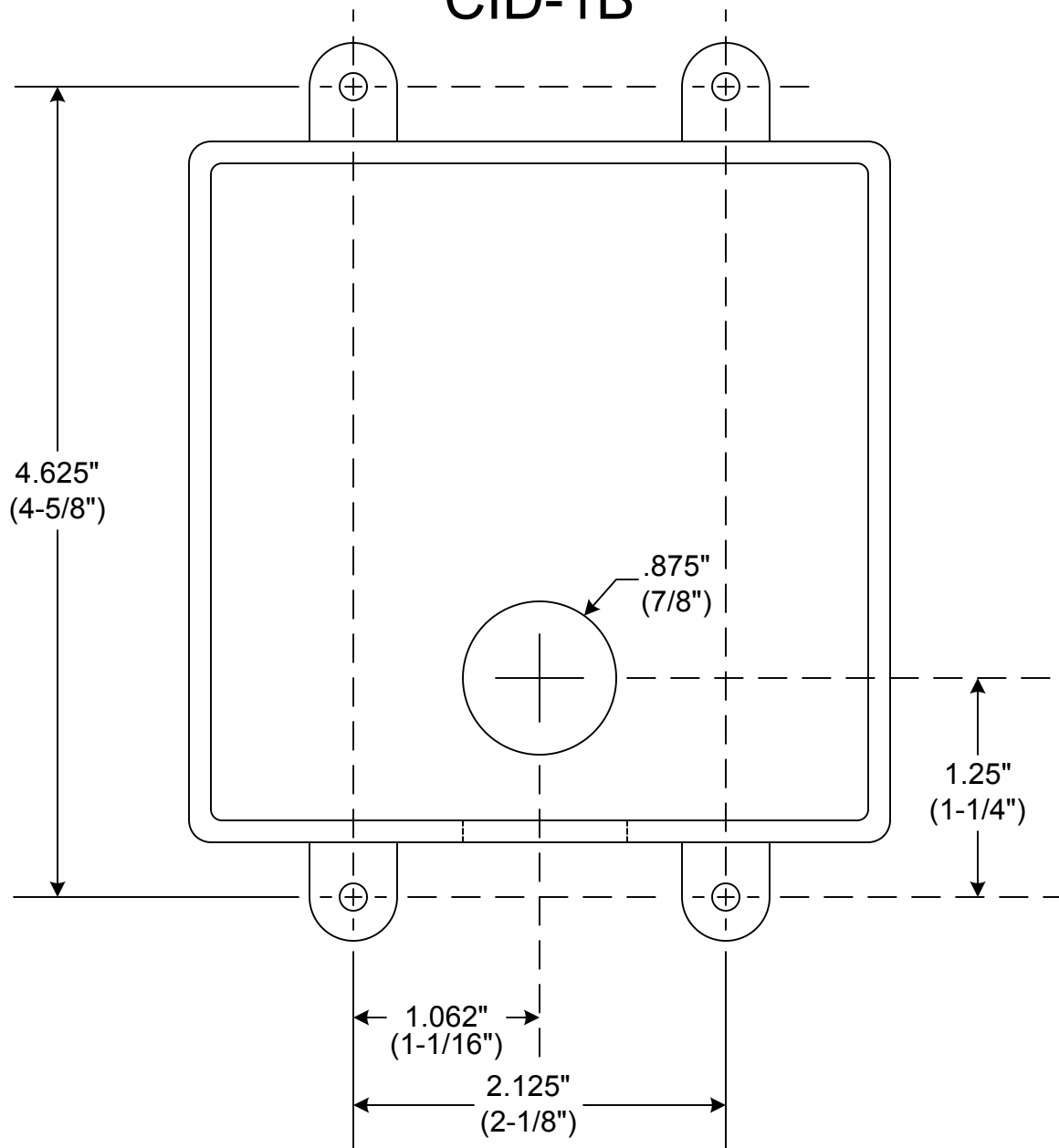


## SOLID STATE INSTRUMENTS

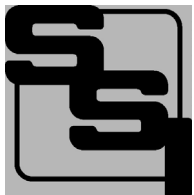
a division of Brayden Automation Corp.  
6230 Aviation Circle, Loveland, Colorado 80538  
Phone: (970)461-9600 Fax: (970)461-9605  
E-mail: [support@solidstateinstruments.com](mailto:support@solidstateinstruments.com)

# MECHANICAL DETAILS

## CID-1B



Enclosure has two pre-drilled 7/8" holes for 1/2" conduit connections.

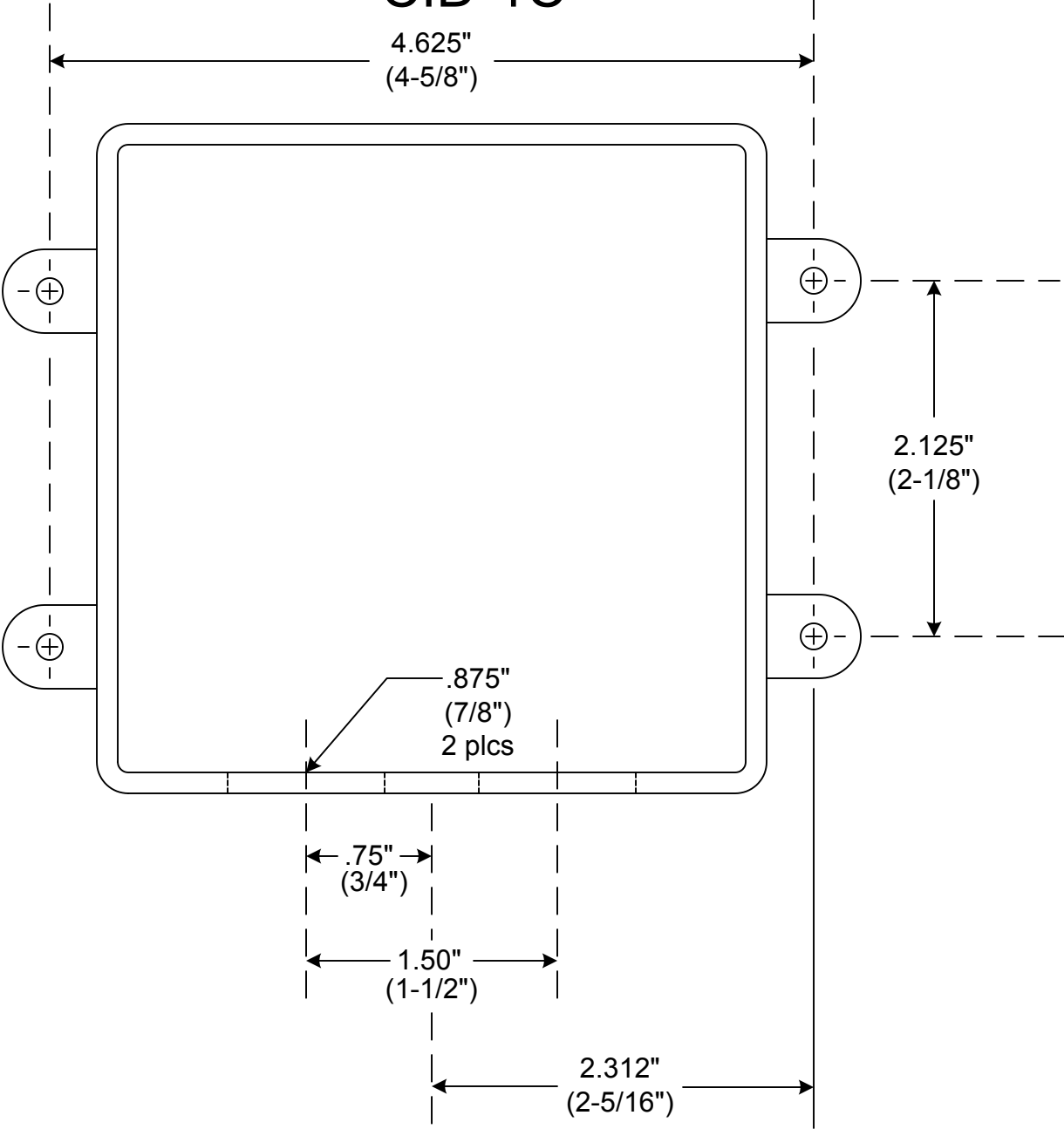


## SOLID STATE INSTRUMENTS

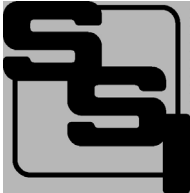
a division of Brayden Automation Corp.  
6230 Aviation Circle, Loveland, Colorado 80538  
Phone: (970)461-9600 Fax: (970)461-9605  
E-mail: [support@solidstateinstruments.com](mailto:support@solidstateinstruments.com)

# MECHANICAL DETAILS

## CID-1C



Enclosure has two pre-drilled 7/8" holes for 1/2" conduit connections.

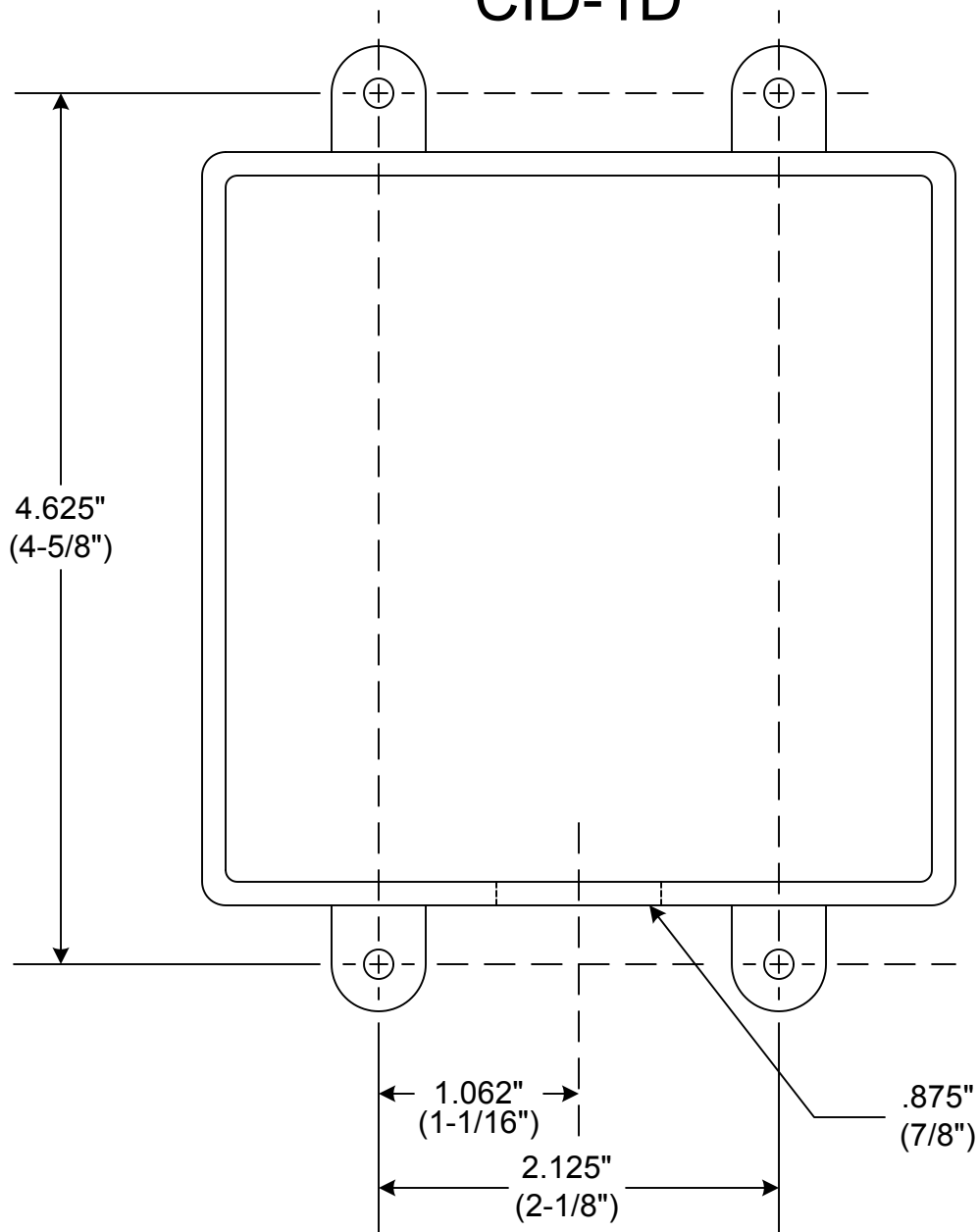


# SOLID STATE INSTRUMENTS

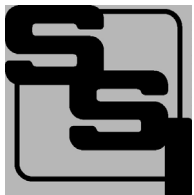
a division of Brayden Automation Corp.  
6230 Aviation Circle, Loveland, Colorado 80538  
Phone: (970)461-9600 Fax: (970)461-9605  
E-mail: [support@solidstateinstruments.com](mailto:support@solidstateinstruments.com)

# MECHANICAL DETAILS

## CID-1D



Enclosure has one pre-drilled 7/8" hole for 1/2" conduit connections.

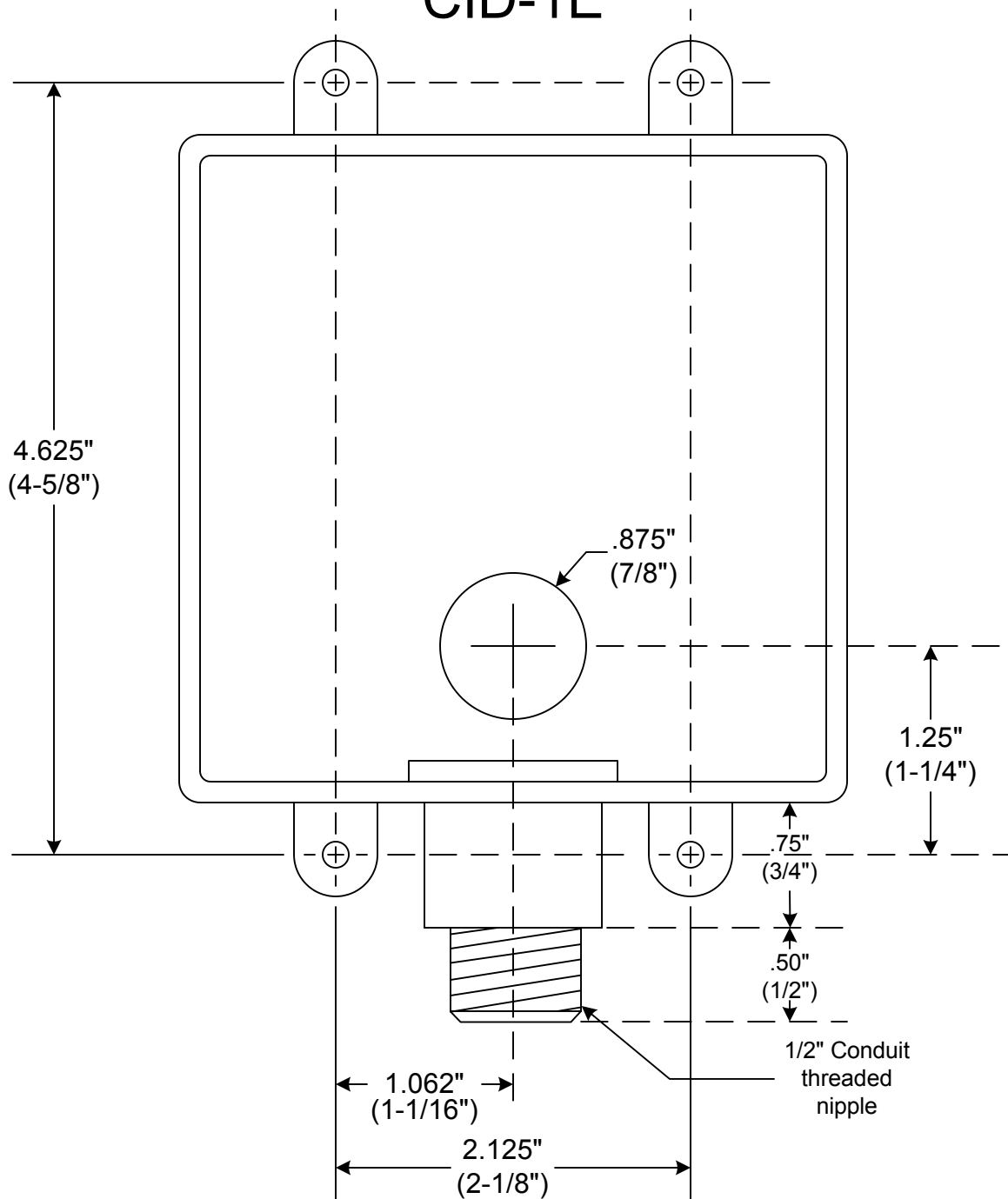


## SOLID STATE INSTRUMENTS

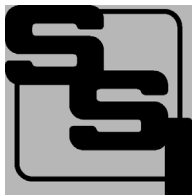
a division of Brayden Automation Corp.  
6230 Aviation Circle, Loveland, Colorado 80538  
Phone: (970)461-9600 Fax: (970)461-9605  
E-mail: [support@solidstateinstruments.com](mailto:support@solidstateinstruments.com)

# MECHANICAL DETAILS

## CID-1E



Enclosure has one 1/2" threaded nipple for connection to electrical enclosure.

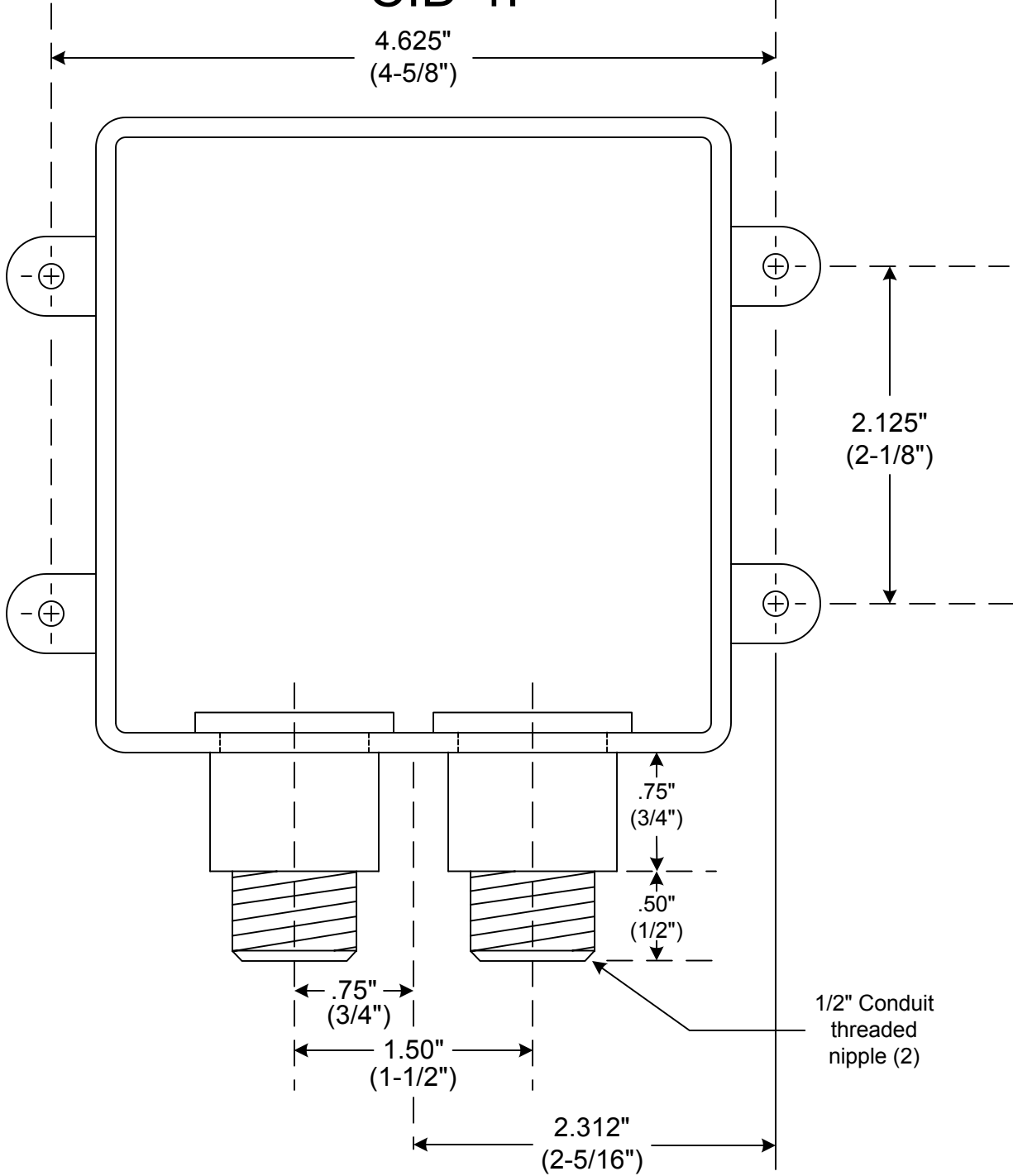


## SOLID STATE INSTRUMENTS

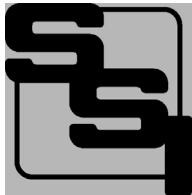
a division of Brayden Automation Corp.  
6230 Aviation Circle, Loveland, Colorado 80538  
Phone: (970)461-9600 Fax: (970)461-9605  
E-mail: [support@solidstateinstruments.com](mailto:support@solidstateinstruments.com)

# MECHANICAL DETAILS

## CID-1F



Enclosure has two 1/2" threaded nipples for connection to electrical enclosure.

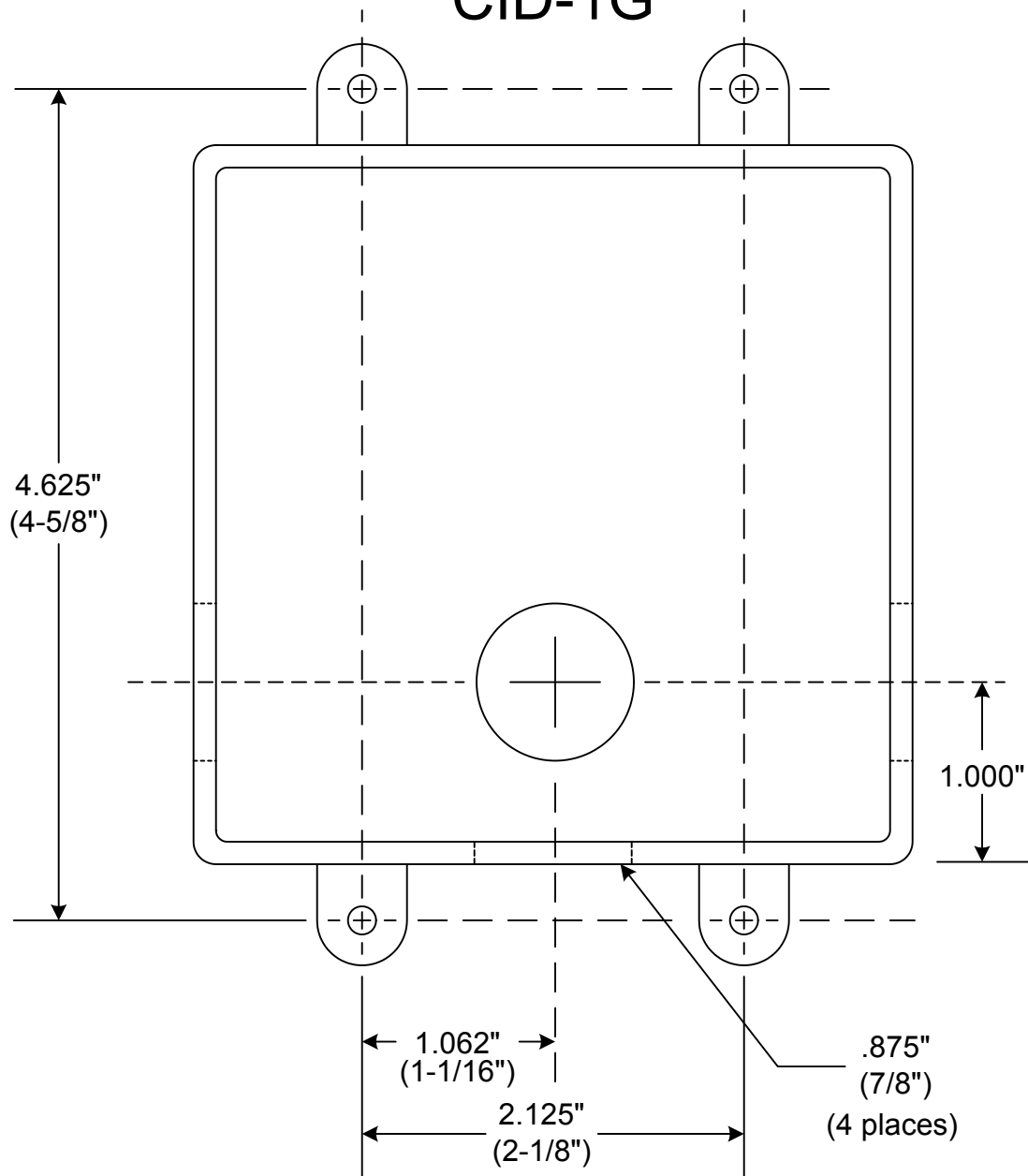


# SOLID STATE INSTRUMENTS

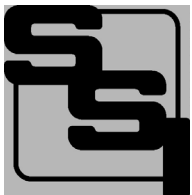
a division of Brayden Automation Corp.  
 6230 Aviation Circle, Loveland, Colorado 80538  
 Phone: (970)461-9600 Fax: (970)461-9605  
 E-mail: support@solidstateinstruments.com

# MECHANICAL DETAILS

## CID-1G



Enclosure has four pre-drilled 7/8" holes for 1/2" conduit connections.



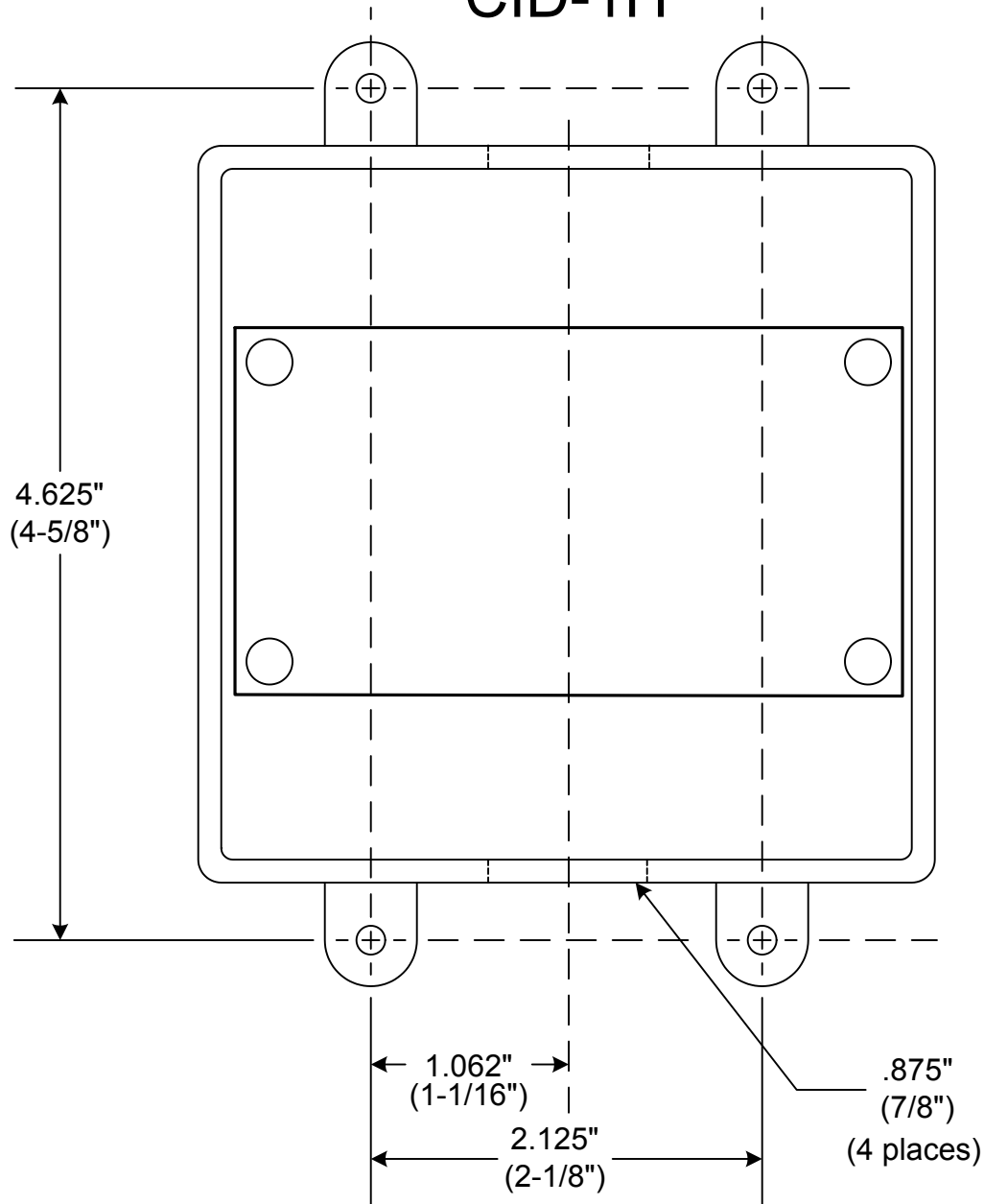
## SOLID STATE INSTRUMENTS

a division of Brayden Automation Corp.  
6230 Aviation Circle, Loveland, Colorado 80538  
Phone: (970)461-9600 Fax: (970)461-9605  
E-mail: [support@solidstateinstruments.com](mailto:support@solidstateinstruments.com)

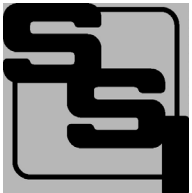


# MECHANICAL DETAILS

## CID-1H



Enclosure has two pre-drilled 7/8" holes, top and bottom, for 1/2" conduit connections.

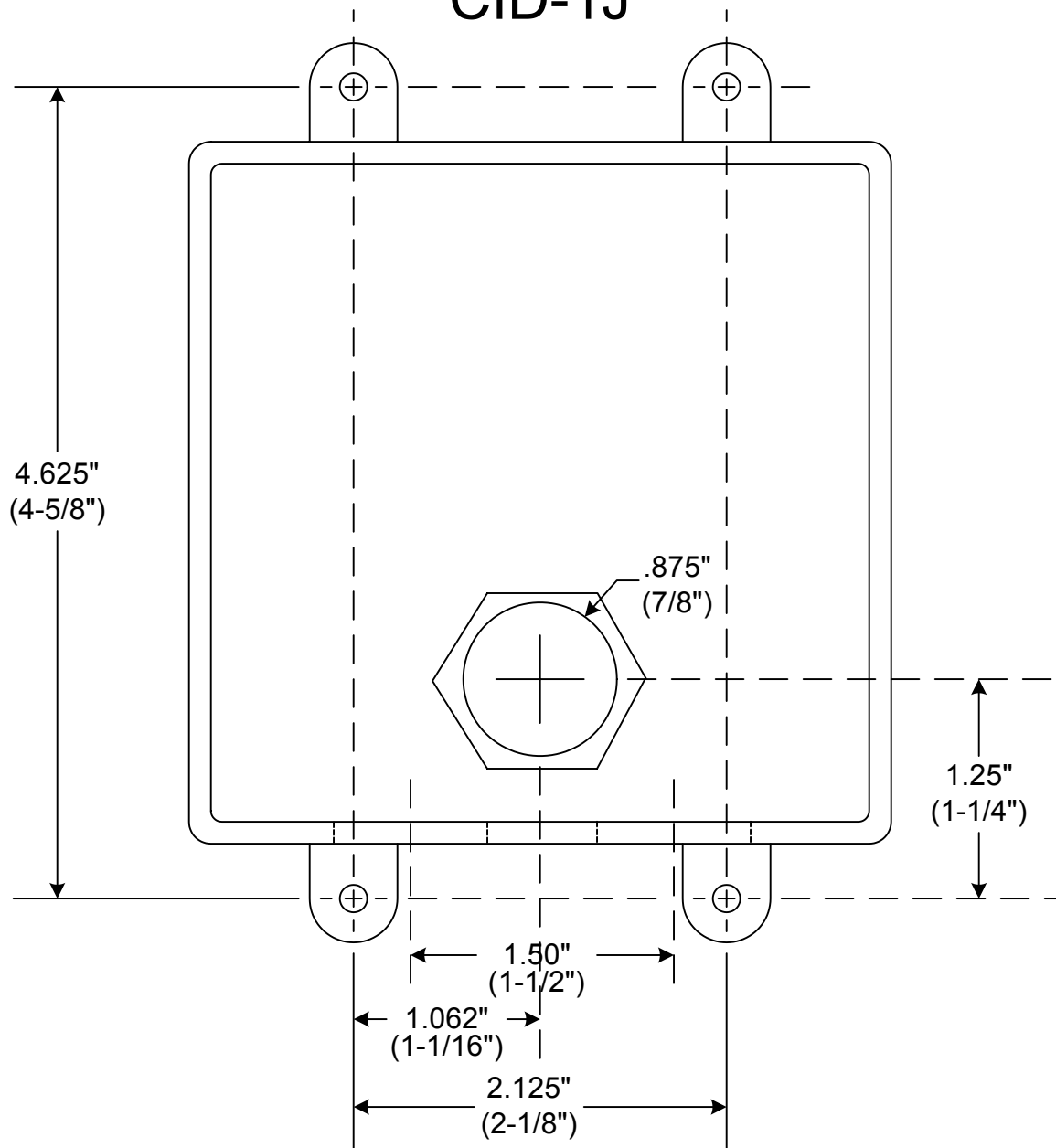


## SOLID STATE INSTRUMENTS

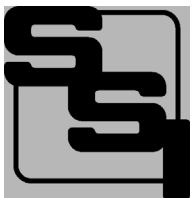
a division of Brayden Automation Corp.  
6230 Aviation Circle, Loveland, Colorado 80538  
Phone: (970)461-9600 Fax: (970)461-9605  
E-mail: [support@solidstateinstruments.com](mailto:support@solidstateinstruments.com)

# MECHANICAL DETAILS

## CID-1J



Enclosure has two pre-drilled 7/8" holes on bottom for 1/2" conduit connections and one 7/8" hole on back with chase nipple installed.

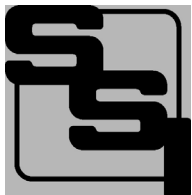
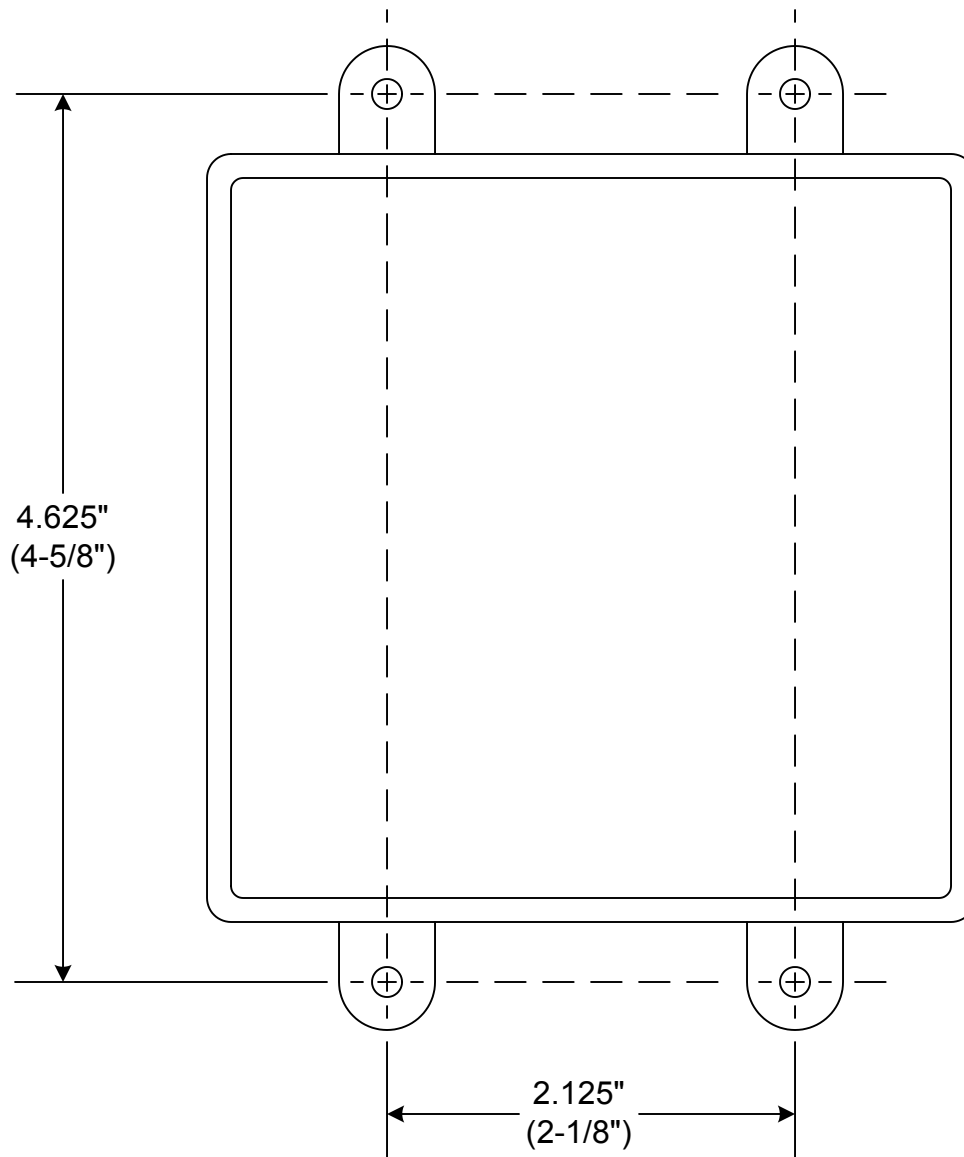


## SOLID STATE INSTRUMENTS

a division of Brayden Automation Corp.  
6230 Aviation Circle, Loveland, Colorado 80538  
Phone: (970)461-9600 Fax: (970)461-9605  
E-mail: [support@solidstateinstruments.com](mailto:support@solidstateinstruments.com)

# MOUNTING TEMPLATE

## CID-1 CUSTOMER INTERFACE DEVICE



## SOLID STATE INSTRUMENTS

a division of Brayden Automation Corp.  
6230 Aviation Circle, Loveland, Colorado 80538  
Phone: (970)461-9600 Fax: (970)461-9605  
E-mail: [support@solidstateinstruments.com](mailto:support@solidstateinstruments.com)