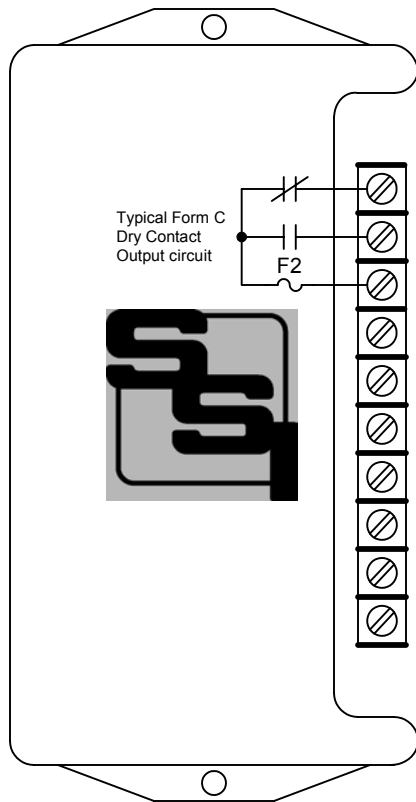


RPR-2LS

Elite Solid State

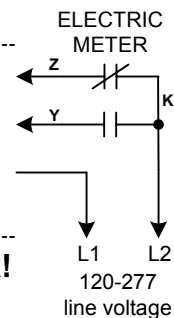
PULSE ISOLATION RELAY INSTRUCTION SHEET



Z2 →
Y2 → OUTPUT #2
K2 ←

Z1 →
Y1 → OUTPUT #1
K1 ←

Zin →
Yin → INPUT
Kin ←
GND ←



CAUTION - Risk of electric shock!
All circuitry on the input side of the RPR-2LS is at line voltage potential.

MOUNTING POSITION - The RPR-2LS can be mounted in any position.

INPUT - The RPR-2LS is powered by an AC or DC voltage of between 90 and 300 volts. For an AC supply, connect the L1 voltage of the AC line to the RPR-2LS' (relay) **Kin** terminal. Connect the L2 voltage of the AC line to the meter's **K** terminal. For a DC supply, connect the positive (+) voltage source to the meter's **K** terminal, and the negative (-) to the RPR-2LS' (relay's) **Kin** terminal. Connect the RPR-2LS' **Yin** terminal to the meter's **Y** terminal and the RPR-2LS' **Zin** terminal to the meter's **Z** terminal. The RPR-2LS will not operate without all three wires between it, the power supply and the meter as shown on Page 2. Connect the RPR-2LS' **GND** terminal to the electrical system ground. The RPR-2LS' power supply is auto-ranging and does not require any configuration for any voltage in the operating range. No other power supply is required to use the RPR-2LS relay. The meter's KYZ pulse initiator must be rated for the line voltage used.

FUSES - The fuses are type 3AG and may be up to 1/2 Amp in size. Two 1/2 Amp fuses (F1 & F2) are supplied standard with the unit unless otherwise specified.

OUTPUTS - Two 3-wire isolated outputs are provided on the RPR-2LS, with output terminals K1, Y1 & Z1, and K2, Y2, & Z2. Typical output circuit shown above. Arc suppression for the contacts of the solid-state relays is provided internally.



SOLID STATE INSTRUMENTS

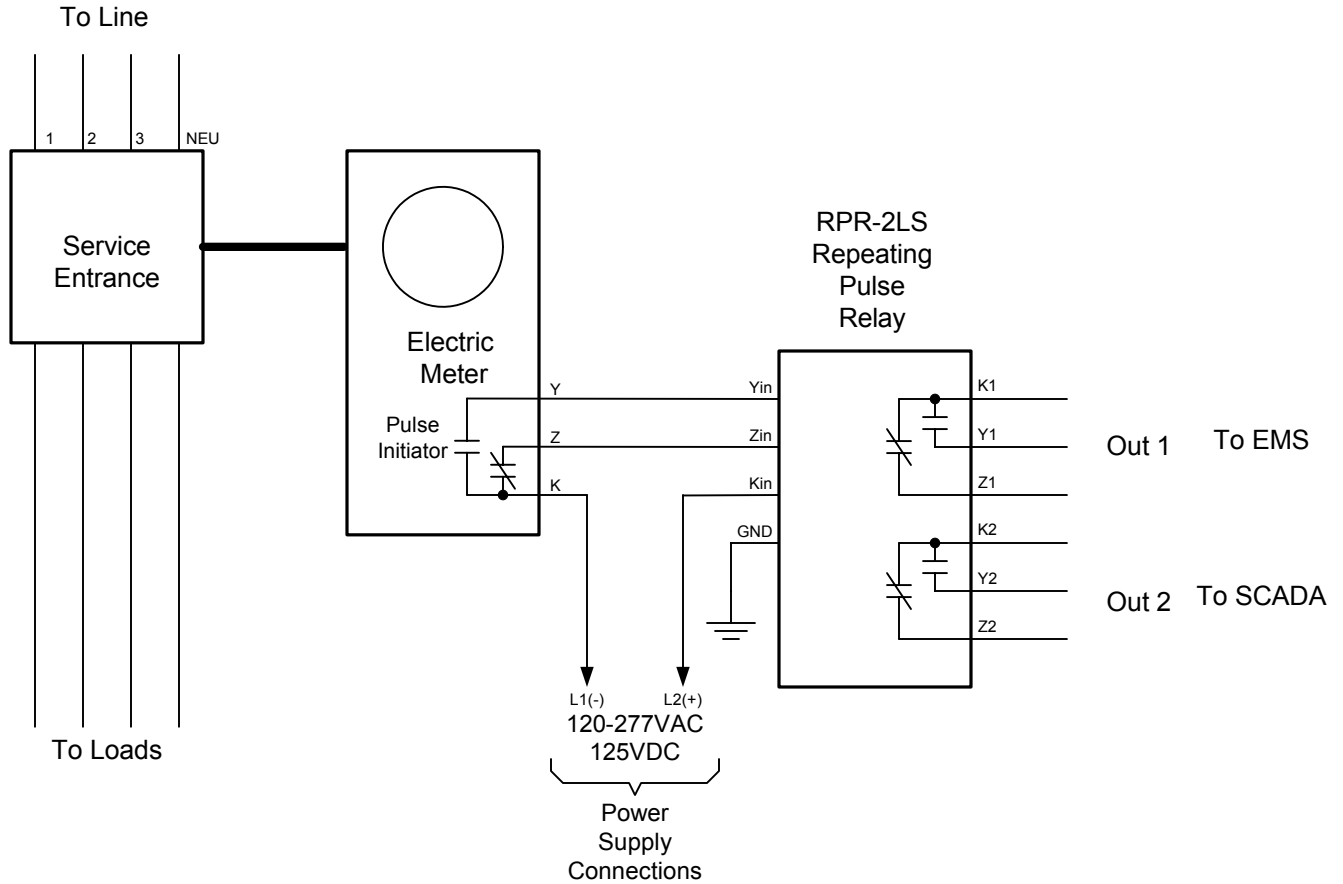
a division of Brayden Automation Corp.

6230 Aviation Circle, Loveland, Colorado 80538

Phone: (970)461-9600 Fax: (970)461-9605

E-mail: support@solidstateinstruments.com

RPR-2LS Wiring Diagram



RPR-2LS Repeating Pulse Relay Wiring Diagram		REVISIONS	
		NO.	DATE
DATE ORIGINAL	SCALE		
11/29/08	N/A		
LATEST REVISION	JOB NO.	CHECKED	DRAWN
			WHB

Brayden Automation Corp./ Solid State Instruments div.
 6230 Aviation Circle
 Loveland, CO 80538
 (970)461-9600
 (970)461-9205 fax
www.solidstateinstruments.com