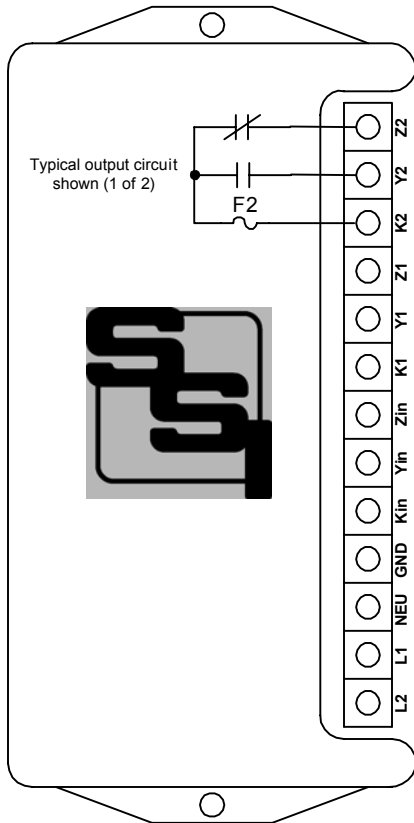


RPR-2PS

B Series

Elite Solid State

PULSE ISOLATION RELAY INSTRUCTION SHEET



Z2 →

Y2 → **OUTPUT #2**

K2 ←

Z1 →

Y1 → **OUTPUT #1**

K1 ←

Zin →

Yin → **INPUT FROM METER**
+13VDC sourced to meter

Kin ←

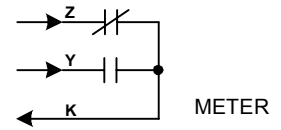
GND ← GND

NEU ← NEUTRAL

**POWER SUPPLY
INPUT**

L1 ← 120V HOT

L2 ← 277V HOT



MOUNTING POSITION - The RPR-2PS B-Series can be mounted in any position.

POWER INPUT - The RPR-2PS can be powered by an AC voltage of between 90 and 300 volts. For **120VAC power**, connect the "hot" lead to the L1 terminal. Connect the neutral lead to the NEU terminal. Connect the GND terminal to electrical system ground. Leave the L2 terminal unconnected. **For 277VAC**, connect the "hot" lead to the L2 terminal. Connect the neutral lead to the NEU terminal. Connect the GND terminal to electrical system ground. Leave the L1 terminal unconnected.

METER CONNECTIONS - The RPR-2PS' "Kin", "Yin" and "Zin" input terminals should be connected to the meter's "K", "Y" and "Z" terminals: "Kin" to "K", "Yin" to "Y", and "Zin" to "Z". The RPR-2PS' "Kin" terminal is the common return and system ground. The "Yin" and "Zin" terminals are pulled-up to +13VDC, which provides the wetting voltage to the pulse initiator.

FUSES - The fuses are type 3AG and may be up to 1/2 Amp in size. 1/2 Amp fuses are supplied standard with the unit unless otherwise specified.

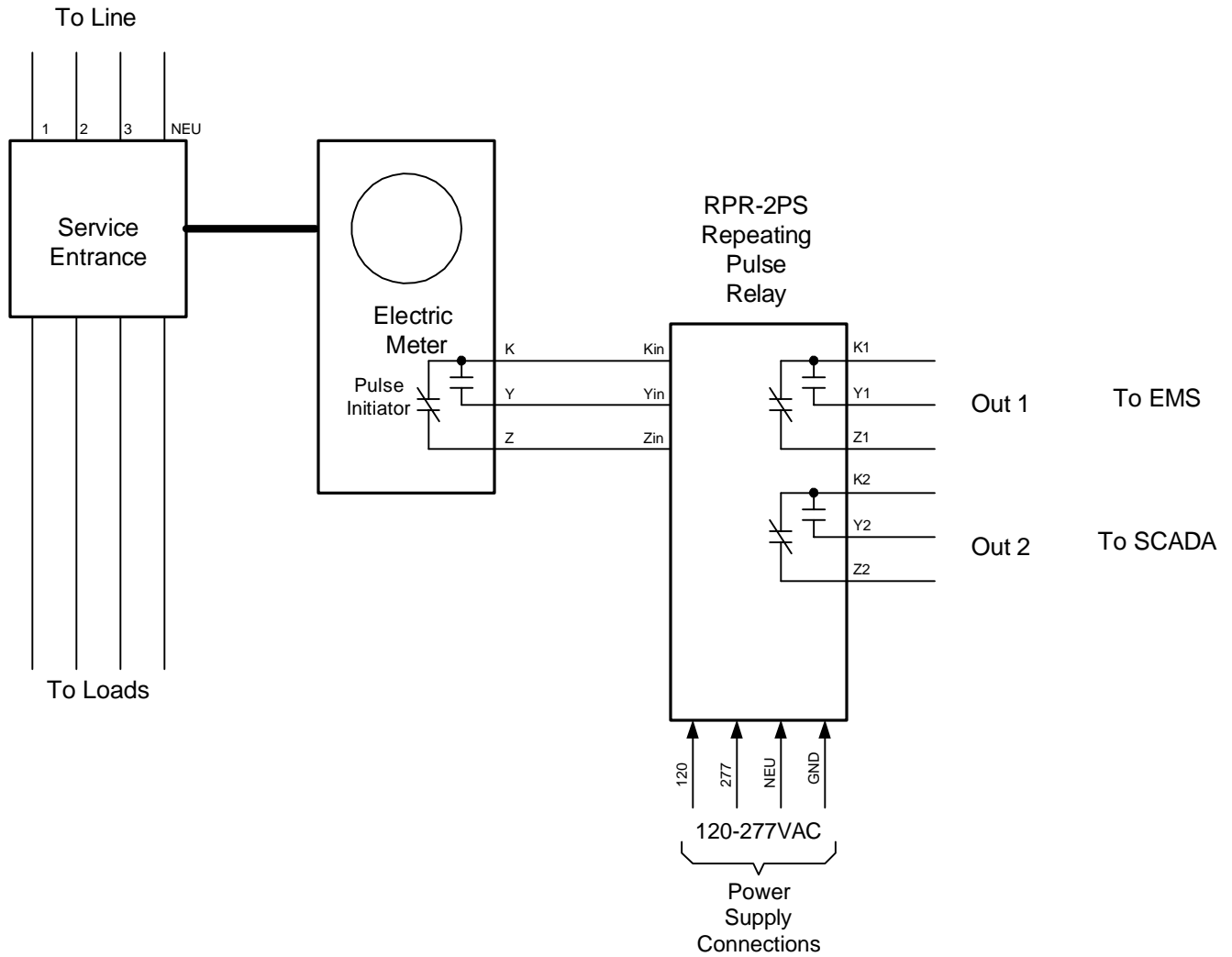
OUTPUTS - Two solid state three-wire isolated outputs are provided on the RPR-2PS. Transient voltage suppression for the solid state switching devices is provided internally.



SOLID STATE INSTRUMENTS

a division of Brayden Automation Corp.
6230 Aviation Circle, Loveland Colorado 80538
Phone: (970)461-9600 Fax: (970)461-9605
E-mail: support@solidstateinstruments.com

RPR-2PS B-Series Wiring Diagram



<p>RPR-2PS B-Series Repeating Pulse Relay Wiring Diagram</p>		REVISIONS	
		NO.	DATE
DATE ORIGINAL	SCALE		
05/14/2013	N/A		
LATEST REVISION	JOB NO.	CHECKED	DRAWN
			WHB

Brayden Automation Corp./ Solid State Instruments div.
 6230 Aviation Circle
 Loveland, CO 80538
 (970)461-9600
 (970)461-9205 fax
www.solidstateinstruments.com